



CONTENTS 目录

舰船装备 出类拔萃 海联产品 情联四海

★ 门类 DOOR

| | | | |
|--|---------|---|---------|
| 0.门和窗的开启方向和定义 OPENING DEFINITION FOR DIRECTION OF DOOR AND WINDOW | 001 | 18. (舱室B型) A60风雨密气密门 (单、双) (TYPE B FOR CABIN)A60 WEATHERTIGHT AND GASTIGHT DOOR(SINGLE/DOUBLE) | 020 |
| 1.船用风雨密单扇钢质门 MARINE WEATHERTIGHT SINGLE-LEAF STEEL DOOR | 002-005 | 19.驾驶室移门 SLIDING DOOR FOR WHEELHOUSE | 021 |
| 2.钢质快开闭风雨密(水密)门 STEEL QUICK ACTION WEATHERTIGHT/WATERTIGHT DOOR | 006 | 20. 不锈钢/铝质单扇舱室移门 STAINLESS STEEL/ALUMINIUM SINGLE-LEAF SLIDING DOOR FOR CABIN | 022 |
| 3.快开闭风雨密钢质门(埋入式) QUICK OPEN&CLOSE WEATHERTIGHT STEEL DOOR(FLUSH TYPE) | 007 | 21. 不锈钢/铝质舱室双扇移门 STAINLESS STEEL/ALUMINIUM DOUBLE-LEAF SLIDING DOOR FOR CABIN | 023 |
| 4.快开闭风雨密钢质门(圆盘式) QUICK OPEN&CLOSE WEATHERTIGHT STEEL DOOR(HAND WHEEL TYPE) | 008 | 22. 铝质驾驶室防风雨移门 ALUMINIUM ALLOY SPRAYTIGHT SLIDING DOOR FOR WHEELHOUSE | 024 |
| 5.钢质双扇快开闭风雨密门 STEEL DOUBLE-LEAF QUICK ACTION WEATHERTIGHT DOOR | 009 | 23. 铝质/不锈钢风雨密外围壁门 (单、双) ALUMINIUM /STAINLESS STEEL WEATHERTIGHT DOOR FOR WEATHER WALL(S/D) | 025 |
| 6.钢质耐压水密门 STEEL PRESSURE RESISTANT WATERTIGHT DOOR | 010 | 24. 玻璃钢风雨密门 GRP WEATHERTIGHT DOOR | 026 |
| 7.钢质耐高压水密门 STEEL HIGH PRESSURE RESISTANT WATERTIGHT DOOR | 011 | 25. A60防火移门 A60 FIREPROOF SLIDING DOOR | 027 |
| 8.A60钢质耐压水密门 A60 STEEL PRESSURE RESISTANT WATERTIGHT DOOR | 011 | 26. H120防火移门 H120 FIREPROOF SLIDING DOOR | 028 |
| 9.船用风雨密单扇铝质门 MARINE WEATHERTIGHT SINGLE-LEAF ALUMINIUM DOOR | 012 | 27. 单扇防火门 SINGLE LEAF FIREPROOF DOOR | 029-030 |
| 10.快开闭风雨密铝质门 QUICK OPEN&CLOSE WEATHERTIGHT ALUMINIUM DOOR | 013 | 28. A级带方窗/消防小门防火门 CLASS A FIREPROOF DOOR WITH SQUARE WINDOW/HOSE PORT | 031 |
| 11.A60快开闭风雨密钢质门 (单、双) A60 QUICK OPEN&CLOSE WEATHERTIGHT STEEL DOOR(SINGLE/DOUBLE) | 014 | 29. B15级防火门 (带窗和逃生口) B15 FIREPROOF DOOR WITH WINDOW AND EMERGENCY EXIT | 032 |
| 12.A60快开闭风雨密钢质门 A60 QUICK OPEN&CLOSE WEATHERTIGHT STEEL DOOR | 015 | 30. A60级双扇防火门 (带消防小门) A60 CLASS DOUBLE LEAVES FIREPROOF DOOR(WITH SMALL FIRE FIGHTING DOOR) | 033 |
| 13. A0快开闭风雨密钢质门 (带窗) A0 QUICK OPEN&CLOSE WEATHERTIGHT STEEL DOOR(WITH WINDOW) | 016 | 31 H30b 铝质防火门 H30b ALUMINIUM FIREPROOF DOOR | 034 |
| 14. H120防火快开闭风雨密门 H120 FIREPROOF QUICK OPEN&CLOSE WEATHERTIGHT DOOR | 016 | 32. A0,A30级防火防盗门 A0,A30 FIREPROOF ANTI-THEFT DOOR | 035 |
| 15. A60 级单扇钢质防火水密门 (带小门) A60 STEEL SINGLE-LEAF WATERTIGHT DOOR(WITH SMALL DOOR) | 017 | 33.钢质隔音阻气门 STEEL SOUNDPROOF GAS- RETARDING DOOR | 036 |
| 16. 气密门 GASTIGHT DOOR | 018 | 34.铝质舱室空腹门 ALUMINIUM HOLLOW CABIN DOOR | 037 |
| 17. (舱室A型) A60风雨密气密门 (单、双) (TYPE A FOR CABIN) A60 WEATHERTIGHT AND GASTIGHT DOOR(SINGLE/DOUBLE) | 019 | | |



CONTENTS 目录

舰船装备 出类拔萃 海联产品 情联四海

| | | |
|---|--------------------------------|-----|
| 35. 钢质隔声门 STEEL SOUND PROOF DOOR | 262WHL009G-00 | 038 |
| 36. 铝质隔声门 ALUMINIUM SOUND PROOF DOOR | 262WHL009A/T-00 | 039 |
| 37. A0隔声防火门 A0 SOUND & FIRE PROOF DOOR | 262WHL009F-00 | 040 |
| 38. H120防火门 H120 FIREPROOF DOOR | 262WHL006H-00 | 041 |
| 39. A60 级带逃出口通风栅防火门 A60 CLASS FIREPROOF DOOR WITH ESCAPE & VENTILATION FENCE | 262WHL005T-00 | 042 |
| 40. 液压滑动式水密门 HYDRAULIC SLIDING WATERTIGHT DOOR | 262WHL094-00 (符合CB/T3007-2000) | 043 |
| 41. A60液压滑动式水密门 A60 HYDRAULIC SLIDING WATERTIGHT DOOR | 262WHL073-00 | 044 |
| 42. 液压铰链式水密门 HYDRAULIC HINGED WATERTIGHT DOOR | 262WHL100-00 | 045 |
| 43. A0电梯层门(旁开双折) A0 LANDING DOOR FOR ELEVATOR(TWO PANELS SIDE) | 262WHL071-00 | 046 |
| 44. A0 电梯层门(中分) A0 LANDING DOOR FOR ELEVATOR(CENTRE) | 262WHL072-00 | 047 |

★窗类 WINDOW

| | | |
|--|-----------------|---------|
| 1. 船用舷窗 SIDE SCUTTLES FOR SHIPS | GB/T 14413-1993 | 048-056 |
| 2. 船用普通矩形窗 MARINE ORDINARY RECTANGULAR WINDOW | GB/T 5746-2001 | 057-060 |
| 3. 驾驶室固定矩形窗 FIXED RECTANGULAR WINDOW FOR WHEELHOUSE | CB/T 3226-1995 | 061 |
| 4. 驾驶室电加热玻璃温控系统* TEMPERATURE CONTROL SYSTEM FOR HEATING GLASSES IN WHEELHOUSE | | 062 |
| 5. 铝质移窗 ALUMINIUM SLIDING WINDOW | CB/T 3765-1996 | 063 |
| 6. 铝合金中空玻璃隔声窗 ALUMINIUM ALLOY SOUNDPROOF WINDOW | CB/T 3917-2011 | 064 |
| 7. 铝质衡力升降式船用窗 ALUMINIUM BALANCED LIFT MARINE WINDOW | CB/T 3755-1995 | 065 |

| | | |
|---|------------------------------|------------|
| 8. 带风暴盖内开侧铰链铝质矩形窗 ALUMINIUM INWARD SIDE-HINGED RECTANGULAR WINDOW WITH DEADLIGHT | 261WHL057-00 | 065 |
| 9. 阻火型服务窗 FIRE RESISTANCE SERVICE WINDOW | CB* 3288-1987 | 066 |
| 10. A15 防火服务窗 A15 FIREPROOF SERVICE WINDOW | 261WHL028-00 | 067 |
| 11. A0级防火卷帘窗 A0 ROLL-UP FIRE WINDOW | 261WHL080-00 | 068 |
| 12. A0级防火舷窗 A0 CLASS FIREPROOF SIDE SCUTTLE | 261WHL 065/506-00 | 069 |
| 13. A60级防火舷窗 A60 CLASS FIREPROOF SIDE SCUTTLE | 261WHL061-00 | 069 |
| 14. A60焊接式开启舷窗 A60 CLASS WELDED HINGED SIDE SCUTTLE | 261WHL073-00 | 070 |
| 15. A0级防火矩形窗 A0 CLASS FIRE RETARDING RECTANGULAR WINDOW | 261WHL062/063-00 | 071 |
| 16. A0级防火开式矩形窗 A0 CLASS FIREPROOF OPEN TYPE RECTANGULAR WINDOW | 261WHL064-00 | 072 |
| 17. A60级高隔声防火窗 A60 FIREPROOF HIGH SOUND-REDUCTION WINDOW | 261WHL069-00 | 073 |
| 18. A60级防火矩形窗 A60 CLASS FIREPROOF RECTANGULAR WINDOW | 261WHL059X-00 | 074 |
| 19. A60级防火矩形窗 A60 CLASS FIREPROOF RECTANGULAR WINDOW | 261WHL059(I)-00 | 075 |
| 20. A60级防火开式矩形窗 A60 CLASS FIRE-PROOF OPEN TYPE RECTANGULAR WINDOW | 261WHL067-00 | 075 |
| 21. H120级防火矩形窗 H120 CLASS FIRE PROTECTION RECTANGULAR WINDOW | 261WHL509-00 | 076 |
| 22. 铝质、钢质、不锈钢窗斗ALUMINIUM,STEEL ,STAINLESS STEEL WINDOW BOX 矩形窗斗WINDOW BOX FOR RECTANGULAR WINDOW 舷窗窗斗WINDOW BOX FOR SIDE SCUTTLES | 261WHL011-01 261WHL011-09 | 077 077 |



CONTENTS 目录

舰船装备 出类拔萃 海联产品 情联四海

★ 盖类 COVER

| | | |
|--|----------------|---------|
| 1. 船用人孔盖 MANHOLE COVERS FOR SHIP | CB/T 19-2001 | 078-079 |
| 2. 铝质人孔盖 ALUMINIUM MANHOLE COVER | 263WHL026-00 | 080-081 |
| 3. 钢质小型舱口盖 STEEL SMALL HATCH COVER | CB/T 3728-1995 | 082-087 |
| 4. 转动式油舱盖 ROTATING OILTIGHT HATCH COVER | CB/T 282-94 | 088 |
| 5. 快速启闭水密舱口盖 QUICK OPEN&CLOSE WATERTIGHT HATCH COVER | CB/T 3842-2000 | 089 |
| 6. 铝质水密舱口盖 ALUMINIUM WATERTIGHT HATCH COVER | CB732-68 | 090 |
| 7. 铝质埋入式水密舱口盖 ALUMINIUM SUNK WATERTIGHT HATCH COVER | CB958-80 | 091 |
| 8. A15防火舱口盖 A15 FIREPROOF HATCH COVER | 263WHL001F-00 | 092 |
| 9. A60级埋入式水密舱口盖 A60 FIREPROOF HATCH COVER(SUNK TYPE,WATERTIGHT) | 263WHL701-00 | 092 |

★ 梯类 LADDER

| | | |
|---|--------------|-----|
| 1. 铝管直梯 ALUMINIUM PIPE VERTICAL LADDER | CB/T 670-94 | 093 |
| 2. 不锈钢直梯 STAINLESS STEEL VERTICAL LADDER | 267WHL003-00 | 093 |
| 3. 铝质斜梯 ALUMINIUM INCLINED LADDER | CB 738-77 | 094 |
| 4. 不锈钢斜梯 STAINLESS STEEL INCLINED LADDER | 267WHL002-00 | 094 |
| 5. 铝质跳板 ALUMINIUM ALLOY WHARF LADDER | CB*3116-82 | 095 |

★ 屏蔽类 ELECTROMAGNETIC SHIELDING PRODUCT

* 门系列 SERIES OF DOORS

| | | |
|--|---------------------|---------|
| 0. 舰船用电磁屏蔽门 ELECTROMAGNETIC SHIELDING DOOR FOR NAVAL SHIPS | (CB 1337-98) * | 096-097 |
| 1. 标准1级电磁屏蔽门 (HL-PB-A1型) CLASS 1 ELECTROMAGNETIC SHIELDING DOOR(HL-PB-A1) | 262WHL026A1(II)-00 | 098 |
| 2. 标准2级电磁屏蔽门 (HL-PB-A2型) CLASS 2 ELECTROMAGNETIC SHIELDING DOOR(HL-PB-A2) | 262WHL026A2(II)-00 | 098 |
| 3. 标准3级电磁屏蔽门 (HL-PB-A3型) CLASS 3 ELECTROMAGNETIC SHIELDING DOOR(HL-PB-A3) | 262WHL026A3(II)-00 | 099 |
| 4. 防火型1级电磁屏蔽门 (HL-PB-B1型) FIREPROOF CLASS 1 ELECTROMAGNETIC SHIELDING DOOR(HL-PB-B1) | 262WHL026B1(II)-00 | 099 |
| 5. 防火型2级电磁屏蔽门 (HL-PB-B2型) FIREPROOF CLASS 2 ELECTROMAGNETIC SHIELDING DOOR(HL-PB-B2) | 262WHL026B2(II)-00 | 100 |
| 6. 防火型3级电磁屏蔽门 (HL-PB-B3型) FIREPROOF CLASS 3 ELECTROMAGNETIC SHIELDING DOOR(HL-PB-B3) | 262WHL026B3(II)-00 | 100 |
| 7. 风雨密1级电磁屏蔽门 (HL-PB-D1型) WEATHERTIGHT CLASS 1 ELECTROMAGNETIC SHIELDING DOOR(HL-PB-D1) | 262WHL026D1(II)-00 | 101 |
| 8. 风雨密2级电磁屏蔽门 (HL-PB-D2型) WEATHERTIGHT CLASS 2 ELECTROMAGNETIC SHIELDING DOOR(HL-PB-D2) | 262WHL026D2(II)-00 | 101 |
| 9. 铝质1级电磁屏蔽门 (HL-PB-L1型) ALUMINIUM CLASS 1 ELECTROMAGNETIC SHIELDING DOOR(HL-PB-L1) | 262WHL025L1(II)-00 | 102 |
| 10. 铝质2级电磁屏蔽门 (HL-PB-L2型) ALUMINIUM CLASS 2 ELECTROMAGNETIC SHIELDING DOOR(HL-PB-L2) | 262WHL025L2(II)-00 | 102 |
| 11. 铝质3级电磁屏蔽门 (HL-PB-L3型) ALUMINIUM CLASS 3 ELECTROMAGNETIC SHIELDING DOOR(HL-PB-L3) | 262WHL025L3(II)-00 | 103 |
| 12. H30b铝质防火1级电磁屏蔽门 (HL-PB-LB130型) H30b ALUMINIUM FIREPROOF CLASS 1 ELECTROMAGNETIC SHIELDING DOOR (HL-PB-LB130) | 262WHL025LB1(30)-00 | 103 |
| 13. H30b铝质防火2级电磁屏蔽门 (HL-PB-LB230型) H30b ALUMINIUM FIREPROOF CLASS 2 ELECTROMAGNETIC SHIELDING DOOR (HL-PB-LB230) | 262WHL025LB2(30)-00 | 104 |
| 14. H30b铝质防火3级电磁屏蔽门 (HL-PB-LB330型) H30b ALUMINIUM FIREPROOF CLASS 3 ELECTROMAGNETIC SHIELDING DOOR (HL-PB-LB330) | 262WHL025LB3(30)-00 | 104 |
| 15. 带通风栅标准1级电磁屏蔽门 (HL-PB-TA1型) CLASS 1 ELECTROMAGNETIC SHIELDING DOOR WITH VENTILATION FENCE (HL-PB-TA1) | 262WHL024TA1(II)-00 | 105 |

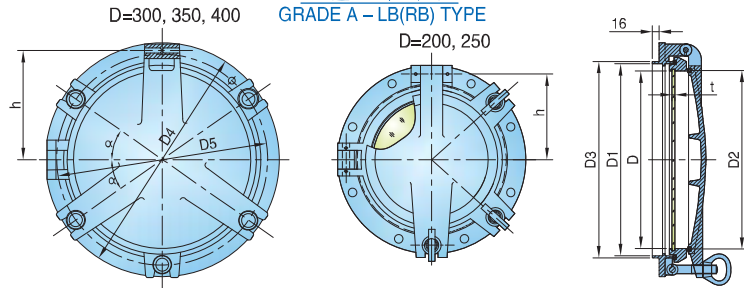


舰船装备 出类拔萃 海联产品 情联四海

船用舷窗
SIDE SCUTTLES FOR SHIPS

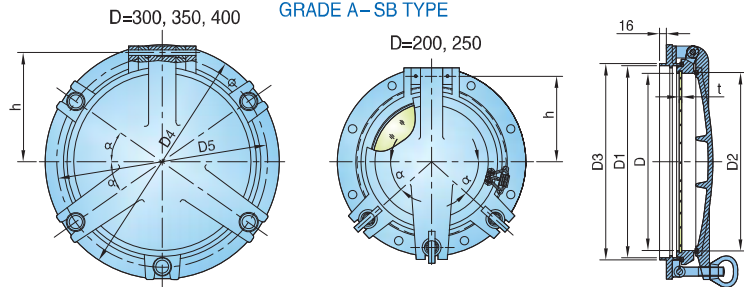
GB/T 14413-1993

A型-LB(RB)式
GRADE A-LB(RB) TYPE



| 类型 TYPE | 透光尺寸 SIZE OF LIGHT D | D1 | D2 | D3 | D4 | D5 | h | t | α | 紧固件数量 QUT.OF CLIPS | | 安装螺栓 BOLT | | 围壁开口 SIZE OF B.H. OPENING | |
|------------|----------------------------|-----|-----|-----|-----|-----|-----|-----|----|-----------------------|---------------------|--------------|-----------|---------------------------------|-----|
| | | | | | | | | | | 风暴盖 DEADLIGHT | 窗扇框 GLASS HOLDER | 螺纹 WHORL | 数量 QUT | | |
| A | LB | 200 | 245 | 204 | 250 | 350 | 310 | 155 | 10 | 45° | 2 | 3 | M16 | 8 | 253 |
| | | 250 | 295 | 254 | 305 | 400 | 364 | 182 | 12 | 48° | 2 | 3 | M16 | 8 | 308 |
| | | 300 | 350 | 304 | 360 | 450 | 414 | 207 | 15 | 31° | 3 | 3 | M16 | 12 | 363 |
| | RB | 350 | 400 | 354 | 410 | 500 | 464 | 232 | 15 | 31° | 3 | 3 | M16 | 12 | 413 |
| | | 400 | 450 | 404 | 460 | 550 | 514 | 257 | 19 | 31° | 3 | 3 | M18 | 12 | 463 |

A型-SB式
GRADE A-SB TYPE



| 类型 TYPE | 透光尺寸 SIZE OF LIGHT D | D1 | D2 | D3 | D4 | D5 | h | t | α | 紧固件数量 QUT.OF CLIPS | | 安装螺栓 BOLT | | 围壁开口 SIZE OF B.H. OPENING | |
|------------|----------------------------|-----|-----|-----|-----|-----|-----|-----|----|-----------------------|---------------------|--------------|-----------|---------------------------------|-----|
| | | | | | | | | | | 风暴盖 DEADLIGHT | 窗扇框 GLASS HOLDER | 螺纹 WHORL | 数量 QUT | | |
| A | SB | 200 | 245 | 204 | 250 | 350 | 310 | 155 | 10 | 45° | 2 | 3 | M16 | 8 | 253 |
| | | 250 | 295 | 254 | 305 | 400 | 364 | 182 | 12 | 42° | 2 | 3 | M16 | 8 | 308 |
| | | 300 | 350 | 304 | 360 | 450 | 414 | 207 | 15 | 31° | 3 | 3 | M16 | 12 | 363 |
| | | 350 | 400 | 354 | 410 | 500 | 464 | 232 | 15 | 31° | 3 | 3 | M16 | 12 | 413 |
| | | 400 | 450 | 404 | 460 | 550 | 514 | 257 | 19 | 31° | 3 | 3 | M18 | 12 | 463 |

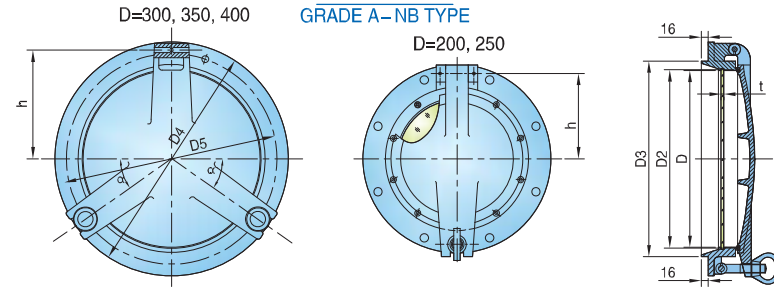


舰船装备 出类拔萃 海联产品 情联四海

船用舷窗
SIDE SCUTTLES FOR SHIPS

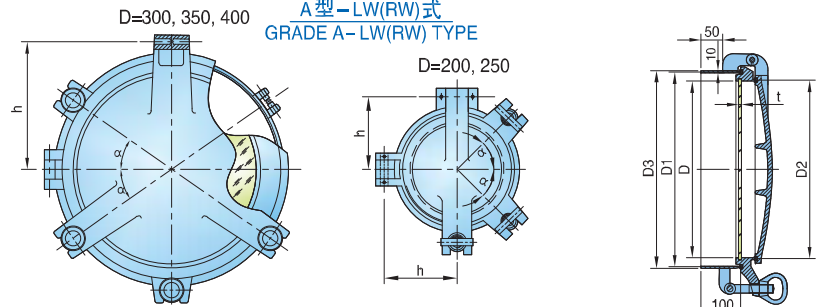
GB/T 14413-1993

A型-NB
GRADE A-NB TYPE



| 类型 TYPE | 透光尺寸 SIZE OF LIGHT D | D2 | D3 | D4 | D5 | h | t | α | 紧固件数量 QUT.OF CLIPS | | 安装螺栓 BOLT | | 围壁开口 SIZE OF B.H. OPENING | |
|------------|----------------------------|-----|-----|-----|-----|-----|-----|----|-----------------------|---------------------|--------------|-----------|---------------------------------|-----|
| | | | | | | | | | 风暴盖 DEADLIGHT | 窗扇框 GLASS HOLDER | 螺纹 WHORL | 数量 QUT | | |
| A | NB | 200 | 204 | 250 | 350 | 310 | 155 | 10 | — | 2 | — | M16 | 8 | 253 |
| | | 250 | 254 | 305 | 400 | 364 | 182 | 12 | — | 2 | — | M16 | 8 | 308 |
| | | 300 | 304 | 360 | 450 | 414 | 207 | 15 | 31° | 3 | — | M16 | 12 | 363 |
| | | 350 | 354 | 410 | 500 | 464 | 232 | 15 | 31° | 3 | — | M16 | 12 | 413 |
| | | 400 | 404 | 460 | 550 | 514 | 257 | 19 | 31° | 3 | — | M18 | 12 | 463 |

A型-LW(RW)式
GRADE A-LW(RW) TYPE

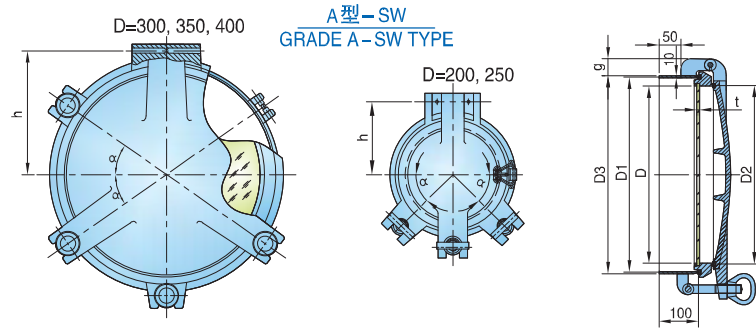


| 类型 TYPE | 透光尺寸 SIZE OF LIGHT D | D1 | D2 | D3 | h | t | α | gmax | 紧固件数量 QUT.OF CLIPS | | 围壁开口 SIZE OF B.H. OPENING | |
|------------|----------------------------|-----|-----|-----|-----|-----|----|------|-----------------------|---------------------|---------------------------------|-----|
| | | | | | | | | | 风暴盖 DEADLIGHT | 窗扇框 GLASS HOLDER | | |
| A | LW RW | 200 | 245 | 204 | 250 | 155 | 10 | 45° | 50 | 2 | 3 | 253 |
| | | 250 | 295 | 254 | 305 | 182 | 12 | 48° | 47.5 | 2 | 3 | 308 |
| | | 300 | 350 | 304 | 360 | 207 | 15 | 31° | 45 | 3 | 3 | 363 |
| | | 350 | 400 | 354 | 410 | 232 | 15 | 31° | 45 | 3 | 3 | 413 |
| | | 400 | 450 | 404 | 460 | 257 | 19 | 31° | 45 | 3 | 3 | 463 |

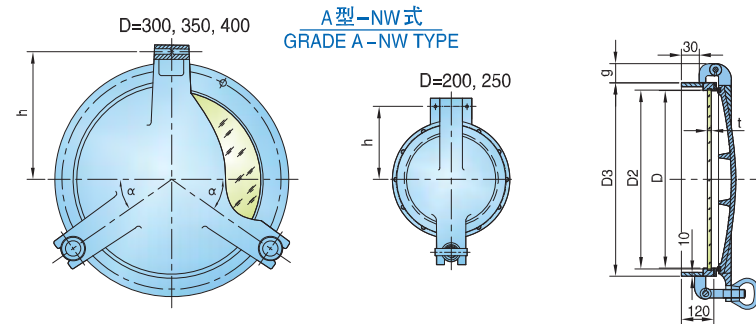


船用舷窗
SIDE SCUTTLES FOR SHIPS

GB/T 14413-1993



| 类型 TYPE | 透光尺寸 SIZE OF LIGHT D | D1 | D2 | D3 | h | t | α | gmax | 紧固件数量 OUT. OF CLIPS | | 围壁开口 SIZE OF B.H. OPENING | |
|------------|----------------------------|-----|-----|-----|-----|-----|----|------|------------------------|---------------------|---------------------------------|-----|
| | | | | | | | | | 风暴盖 DEADLIGHT | 窗扇框 GLASS HOLDER | | |
| A | SW | 200 | 245 | 204 | 250 | 155 | 10 | 45° | 50 | 2 | 3 | 253 |
| | | 250 | 295 | 254 | 305 | 182 | 12 | 42° | 47.5 | 2 | 3 | 308 |
| | | 300 | 350 | 304 | 360 | 207 | 15 | 31° | 45 | 3 | 3 | 363 |
| | | 350 | 400 | 354 | 410 | 232 | 15 | 31° | 45 | 3 | 3 | 413 |
| | | 400 | 450 | 404 | 460 | 257 | 19 | 31° | 45 | 3 | 3 | 463 |

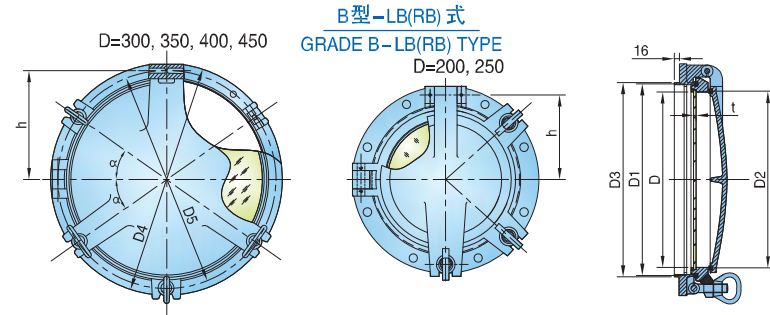


| 类型 TYPE | 透光尺寸 SIZE OF LIGHT D | D2 | D3 | h | t | α | gmax | 紧固件数量 OUT. OF CLIPS | | 围壁开口 SIZE OF B.H. OPENING | |
|------------|----------------------------|-----|-----|-----|-----|----|------|------------------------|---------------------|---------------------------------|-----|
| | | | | | | | | 风暴盖 DEADLIGHT | 窗扇框 GLASS HOLDER | | |
| A | NW | 200 | 204 | 250 | 155 | 10 | — | 50 | 2 | — | 253 |
| | | 250 | 254 | 305 | 182 | 12 | — | 47.5 | 2 | — | 308 |
| | | 300 | 304 | 360 | 207 | 15 | 31° | 45 | 3 | — | 363 |
| | | 350 | 354 | 410 | 232 | 15 | 31° | 45 | 3 | — | 413 |
| | | 400 | 404 | 460 | 257 | 19 | 31° | 45 | 3 | — | 463 |

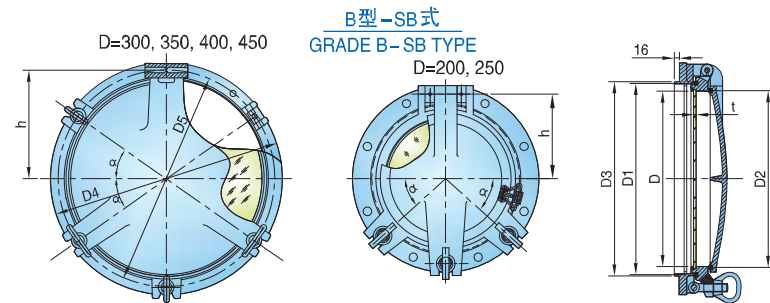


船用舷窗
SIDE SCUTTLES FOR SHIPS

GB/T 14413-1993



| 类型 TYPE | 透光尺寸 SIZE OF LIGHT D | D1 | D2 | D3 | D4 | D5 | h | t | α | 紧固件数量 OUT. OF CLIPS | | 安装螺栓 BOLT | | 围壁开口 SIZE OF B.H. OPENING | |
|------------|----------------------------|-----|-----|-----|-----|-----|-----|-----|-----|------------------------|---------------------|--------------|-----------|---------------------------------|-----|
| | | | | | | | | | | 风暴盖 DEADLIGHT | 窗扇框 GLASS HOLDER | 螺纹 WHORL | 数量 QTY | | |
| B | LB | 200 | 245 | 204 | 250 | 310 | 155 | 8 | 45° | 2 | 3 | M12 | 8 | 253 | |
| | | 250 | 295 | 254 | 305 | 400 | 364 | 182 | 8 | 48° | 2 | 3 | M16 | 8 | 308 |
| | | 300 | 350 | 304 | 360 | 450 | 414 | 207 | 10 | 31° | 3 | 3 | M16 | 12 | 363 |
| | | 350 | 400 | 354 | 410 | 500 | 464 | 232 | 12 | 32° | 3 | 3 | M16 | 12 | 413 |
| | | 400 | 450 | 404 | 460 | 550 | 514 | 257 | 12 | 31° | 3 | 3 | M18 | 12 | 463 |
| | | 450 | 500 | 454 | 510 | 600 | 564 | 282 | 15 | 31° | 3 | 3 | M20 | 12 | 513 |



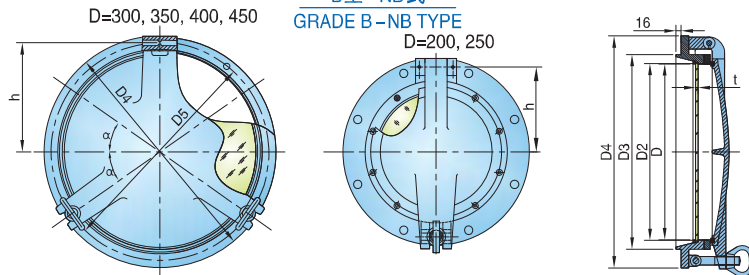
| 类型 TYPE | 透光尺寸 SIZE OF LIGHT D | D1 | D2 | D3 | D4 | D5 | h | t | α | 紧固件数量 OUT. OF CLIPS | | 安装螺栓 BOLT | | 围壁开口 SIZE OF B.H. OPENING | |
|------------|----------------------------|-----|-----|-----|-----|-----|-----|-----|-----|------------------------|---------------------|--------------|-----------|---------------------------------|-----|
| | | | | | | | | | | 风暴盖 DEADLIGHT | 窗扇框 GLASS HOLDER | 螺纹 WHORL | 数量 QTY | | |
| B | SB | 200 | 245 | 204 | 250 | 310 | 155 | 8 | 45° | 2 | 3 | M16 | 8 | 253 | |
| | | 250 | 295 | 254 | 305 | 400 | 364 | 182 | 8 | 42° | 2 | 3 | M16 | 8 | 308 |
| | | 300 | 350 | 304 | 360 | 450 | 414 | 207 | 10 | 31° | 3 | 3 | M16 | 12 | 363 |
| | | 350 | 400 | 354 | 410 | 500 | 464 | 232 | 12 | 32° | 3 | 3 | M16 | 12 | 413 |
| | | 400 | 450 | 404 | 460 | 550 | 514 | 257 | 12 | 31° | 3 | 3 | M18 | 12 | 463 |
| | | 450 | 500 | 454 | 510 | 600 | 564 | 282 | 15 | 31° | 3 | 4 | M20 | 12 | 513 |



船用舷窗
SIDE SCUTTLES FOR SHIPS

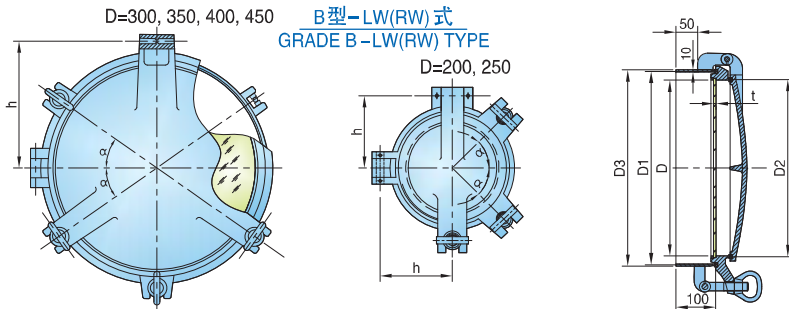
GB/T 14413-1993

B型-NB式
GRADE B-NB TYPE



| 类型 TYPE | 透光尺寸 SIZE OF LIGHT D | D2 | D3 | D4 | D5 | h | t | α | 紧固件数量 OUT. OF CLIPS | | 安装螺栓 BOLT | | 围壁开口 SIZE OF B.H. OPENING | |
|------------|----------------------------|-----|-----|-----|-----|-----|-----|----|------------------------|---------------------|--------------|-----------|---------------------------------|-----|
| | | | | | | | | | 风暴盖 DEADLIGHT | 窗扇框 GLASS HOLDER | 螺栓 WHORL | 数量 QUT | | |
| B | NB | 200 | 204 | 250 | 350 | 310 | 155 | 8 | — | 2 | — | M12 | 8 | 253 |
| | | 250 | 254 | 305 | 400 | 364 | 182 | 8 | — | 2 | — | M16 | 8 | 308 |
| | | 300 | 304 | 360 | 450 | 414 | 207 | 10 | 31° | 3 | — | M16 | 12 | 363 |
| | | 350 | 354 | 410 | 500 | 464 | 232 | 12 | 32° | 3 | — | M16 | 12 | 413 |
| | | 400 | 404 | 460 | 550 | 514 | 257 | 12 | 31° | 3 | — | M18 | 12 | 463 |
| | | 450 | 454 | 510 | 600 | 564 | 282 | 15 | 31° | 3 | — | M20 | 12 | 513 |

B型-LW(RW)式
GRADE B-LW(RW) TYPE



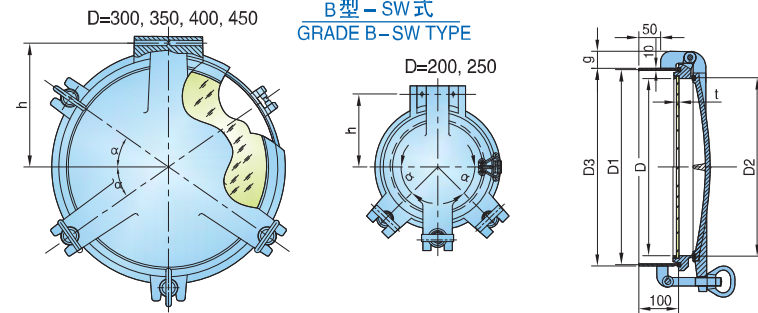
| 类型 TYPE | 透光尺寸 SIZE OF LIGHT D | D1 | D2 | D3 | h | t | α | gmax | 紧固件数量 OUT. OF CLIPS | | 围壁开口 SIZE OF B.H. OPENING | |
|------------|----------------------------|-----|-----|-----|-----|-----|----|------|------------------------|---------------------|---------------------------------|-----|
| | | | | | | | | | 风暴盖 DEADLIGHT | 窗扇框 GLASS HOLDER | | |
| B | LW RW | 200 | 245 | 204 | 250 | 155 | 8 | 45° | 50 | 2 | 3 | 253 |
| | | 250 | 295 | 254 | 305 | 182 | 8 | 48° | 47.5 | 2 | 3 | 308 |
| | | 300 | 350 | 304 | 360 | 207 | 10 | 31° | 45 | 3 | 3 | 363 |
| | | 350 | 400 | 354 | 410 | 232 | 12 | 32° | 45 | 3 | 3 | 413 |
| | | 400 | 450 | 404 | 460 | 257 | 12 | 31° | 45 | 3 | 3 | 463 |
| | | 450 | 500 | 454 | 510 | 282 | 15 | 31° | 45 | 3 | 4 | 513 |



船用舷窗
SIDE SCUTTLES FOR SHIPS

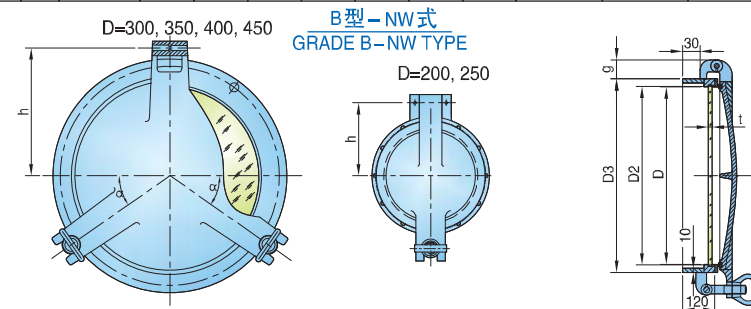
GB/T 14413-1993

B型-SW式
GRADE B-SW TYPE



| 类型 TYPE | 透光尺寸 SIZE OF LIGHT D | D1 | D2 | D3 | h | t | α | gmax | 紧固件数量 OUT. OF CLIPS | | 围壁开口 SIZE OF B.H. OPENING | |
|------------|----------------------------|-----|-----|-----|-----|-----|----|------|------------------------|---------------------|---------------------------------|-----|
| | | | | | | | | | 风暴盖 DEADLIGHT | 窗扇框 GLASS HOLDER | | |
| B | SW | 200 | 245 | 204 | 250 | 155 | 8 | 45° | 50 | 2 | 3 | 253 |
| | | 250 | 295 | 254 | 305 | 182 | 8 | 42° | 47.5 | 2 | 3 | 308 |
| | | 300 | 350 | 304 | 360 | 207 | 10 | 31° | 45 | 3 | 3 | 363 |
| | | 350 | 400 | 354 | 410 | 232 | 12 | 32° | 45 | 3 | 3 | 413 |
| | | 400 | 450 | 404 | 460 | 257 | 12 | 31° | 45 | 3 | 3 | 463 |
| | | 450 | 500 | 454 | 510 | 282 | 15 | 31° | 45 | 3 | 3 | 513 |

B型-NW式
GRADE B-NW TYPE



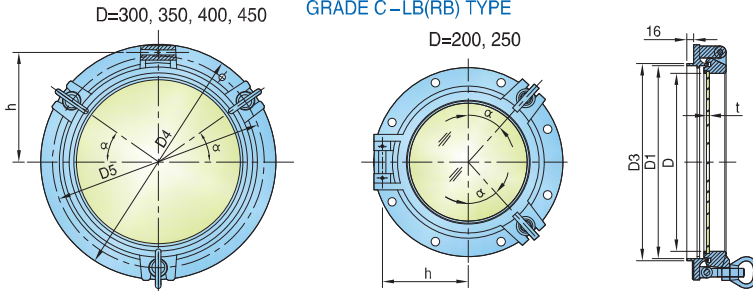
| 类型 TYPE | 透光尺寸 SIZE OF LIGHT D | D2 | D3 | h | t | α | gmax | 紧固件数量 OUT. OF CLIPS | | 围壁开口 SIZE OF B.H. OPENING | |
|------------|----------------------------|-----|-----|-----|-----|----|------|------------------------|---------------------|---------------------------------|-----|
| | | | | | | | | 风暴盖 DEADLIGHT | 窗扇框 GLASS HOLDER | | |
| B | NW | 200 | 204 | 250 | 155 | 8 | — | 50 | 2 | — | 253 |
| | | 250 | 254 | 305 | 182 | 8 | — | 47.5 | 2 | — | 308 |
| | | 300 | 304 | 360 | 207 | 10 | 31° | 45 | 3 | — | 363 |
| | | 350 | 354 | 410 | 232 | 12 | 32° | 45 | 3 | — | 413 |
| | | 400 | 404 | 460 | 257 | 12 | 31° | 45 | 3 | — | 463 |
| | | 450 | 454 | 510 | 282 | 15 | 31° | 45 | 3 | — | 513 |



船用舷窗
SIDE SCUTTLES FOR SHIPS

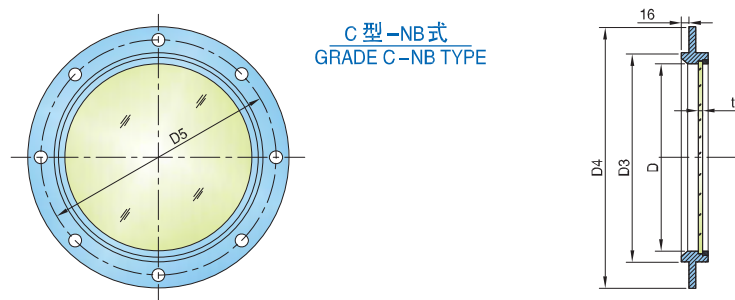
GB/T 14413-1993

C型-LB(RB)式
GRADE C-LB(RB) TYPE



| 类型 TYPE | 透光尺寸 SIZE OF LIGHT D | D1 | D3 | D4 | D5 | h | t | α | 紧固件数量 OUT. OF CLIPS | | 安装螺栓 BOLT | | 围壁开口 SIZE OF B.H. OPENING | |
|------------|----------------------------|-----|-----|-----|-----|-----|-----|----|------------------------|---------------------|--------------|-----------|---------------------------------|-----|
| | | | | | | | | | 风暴盖 DEADLIGHT | 窗扇框 GLASS HOLDER | 螺纹 WHORL | 数量 QTY | | |
| C | LB | 200 | 245 | 250 | 350 | 310 | 155 | 6 | 45° | — | 3 | M12 | 8 | 253 |
| | | 250 | 295 | 305 | 400 | 364 | 182 | 6 | 42° | — | 3 | M16 | 8 | 308 |
| | | 300 | 350 | 360 | 450 | 414 | 207 | 8 | 31° | — | 3 | M16 | 12 | 363 |
| | RB | 350 | 400 | 410 | 500 | 464 | 232 | 8 | 32° | — | 3 | M16 | 12 | 413 |
| | | 400 | 450 | 460 | 550 | 514 | 257 | 10 | 31° | — | 3 | M18 | 12 | 463 |
| | | 450 | 500 | 510 | 600 | 564 | 282 | 10 | 31° | — | 4 | M20 | 12 | 513 |

C型-NB式
GRADE C-NB TYPE



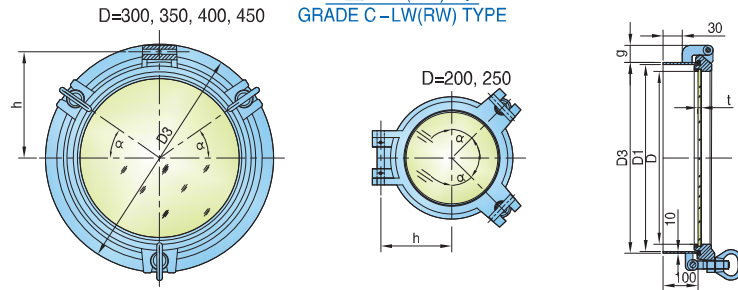
| 类型 TYPE | 透光尺寸 SIZE OF LIGHT D | D3 | D4 | D5 | t | 安装螺栓 BOLT | | 围壁开口 SIZE OF B.H. OPENING | |
|------------|----------------------------|-----|-----|-----|-----|--------------|-----------|---------------------------------|-----|
| | | | | | | 螺纹 WHORL | 数量 QTY | | |
| C | NB | 200 | 250 | 350 | 310 | 6 | M12 | 8 | 253 |
| | | 250 | 305 | 400 | 364 | 6 | M16 | 8 | 308 |
| | | 300 | 360 | 450 | 414 | 8 | M16 | 12 | 363 |
| | | 350 | 410 | 500 | 464 | 8 | M16 | 12 | 413 |
| | | 400 | 460 | 550 | 514 | 10 | M18 | 12 | 463 |
| | | 450 | 510 | 600 | 564 | 10 | M20 | 12 | 513 |



船用舷窗
SIDE SCUTTLES FOR SHIPS

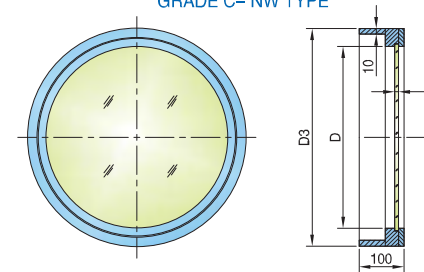
GB/T 14413-1993

C型-LW(RW)式
GRADE C-LW(RW) TYPE



| 类型 TYPE | 透光尺寸 SIZE OF LIGHT D | D1 | D3 | h | t | α | gmax | 紧固件数量 OUT. OF CLIPS | | 围壁开口 SIZE OF B.H. OPENING | |
|------------|----------------------------|-----|-----|-----|-----|----|------|------------------------|---------------------|---------------------------------|-----|
| | | | | | | | | 风暴盖 DEADLIGHT | 窗扇框 GLASS HOLDER | | |
| C | LW | 200 | 245 | 250 | 155 | 6 | 45° | 50 | — | 3 | 253 |
| | | 250 | 295 | 305 | 182 | 6 | 42° | 47.5 | — | 3 | 308 |
| | | 300 | 350 | 360 | 207 | 8 | 31° | 45 | — | 3 | 363 |
| | RW | 350 | 400 | 410 | 232 | 8 | 32° | 45 | — | 3 | 413 |
| | | 400 | 450 | 460 | 257 | 10 | 31° | 45 | — | 3 | 463 |
| | | 450 | 500 | 510 | 282 | 10 | 31° | 45 | — | 4 | 513 |

C型-NW式
GRADE C-NW TYPE



| 类型 TYPE | 透光尺寸 SIZE OF LIGHT D | D3 | t | 围壁开口 SIZE OF B.H. OPENING | |
|------------|----------------------------|-----|-----|---------------------------------|-----|
| C | NW | 200 | 250 | 6 | 253 |
| | | 250 | 305 | 6 | 308 |
| | | 300 | 360 | 8 | 363 |
| | | 350 | 410 | 8 | 413 |
| | | 400 | 460 | 10 | 463 |
| | | 450 | 510 | 10 | 513 |

标记示例:

透光尺寸为300mm,焊接安装左开式(LW),钢质主窗框,铜合金窗扇框,钢质棘爪式风暴盖,具有透明钢化玻璃的重型舷窗
舷窗 A300-LW-212J-Y1 GB/T 14413-1993

透光尺寸为350mm,螺栓安装右开式(RB),全铝合金挂钩式风暴盖,具有磨砂钢化玻璃的中型舷窗
舷窗 B350-RB-333G-Y2 GB/T 14413-1993

透光尺寸为400mm,焊接安装固定式(NW),钢质主窗框,铝合金窗扇框,具有透明钢化玻璃无风暴盖轻型舷窗
舷窗 C400-NW-230-Y1 GB/T 14413-1993



船用普通矩形窗 MARINE ORDINARY RECTANGULAR WINDOW

GB/T 5746-2001

适用于船舶干舷甲板以上的上层建筑及甲板室的矩形窗，满足ISO 3903:1993
USED FOR THE RECTANGULAR WINDOW OF SUPERSTRUCTURE ABOVE FREEBOARD DECK AND DECK HOUSE, IT MEETS ISO 3903:1993

1. 系列 SERIES

| | | | |
|---|-----------------------------|------------------------|--------------------------------|
| N | 一般系列COMMON SERIES | 是通常采用装有钢化安全玻璃的矩形窗 | WITH NORMAL SAFETY GLASS |
| P | 耐火系列 FIRE PROTECTION SERIES | 是安装于“A”或“B”级耐火分隔区域的矩形窗 | FOR A OR B CLASS FIRE DIVISION |
| H | 加热系列HEATING SERIES | 是装有电加热玻璃的矩形窗 | WITH HEATING IN GLASS |

2. 类型 SORT

| | |
|---|----------------|
| E | 重型矩形窗 HEAVY |
| F | 轻型矩形窗 LIGHT |

3. 公称尺寸代号 DIMENSION

| 代号 CODE | 公称尺寸 NOMINAL SIZE WXH | 示图 ILLUSTRATION |
|------------|-----------------------------|--------------------|
| 1 | 300 × 425 | |
| 2 | 355 × 500 | |
| 3 | 400 × 560 | |
| 4 | 450 × 630 | |
| 5 | 500 × 710 | |
| 6 | 560 × 800 | |
| 7 | 900 × 630 | |
| 8 | 1000 × 710 | |
| 9 | 1100 × 800 | |

4. 型式特征 TYPE FEATURE

| 开启形式 OPENING TYPE | 开启方向 OPEN DIR. | 安装方式 INSTALLATION METHOD | | 开向 OPEN CODE | 使用代号 (公称尺寸) APPLICABLE CODE | | |
|----------------------|----------------------|-----------------------------|---------------|-----------------|-----------------------------------|-----|-----|
| | | 螺栓式 BOLTED | 焊接式 WELDED | | E | F | |
| 开式 OPENING | 内开 INWARD (I) | 侧铰链 LEFT (L) | B | - | ILB | 1-6 | 1-6 |
| | | 左开 LEFT (L) | - | W | ILW | | |
| | | 侧铰链 RIGHT (R) | B | - | IRB | | |
| | | 右开 RIGHT (R) | - | W | IRW | | |
| | | 上铰链 (T) TOP HINGED | B | - | ITB | | |
| | 外开 OUTWARD (O) | 侧铰链 LEFT (L) | B | - | OLB | 1-6 | 1-6 |
| | | 左开 LEFT (L) | - | W | OLW | | |
| | | 侧铰链 RIGHT (R) | B | - | ORB | | |
| | | 右开 RIGHT (R) | - | W | ORW | | |
| | | 上铰链 (T) TOP HINGED | B | - | OTB | | |
| 闭式FIXED | | | B | - | NOB | 1-8 | 1-9 |
| | | | - | W | NOW | | |

5. 玻璃厚度 GLASS THICKNESS

| 矩形窗RECTANGULAR WINDOW | | 透光玻璃厚度 (Y1), 括号内为磨砂玻璃厚度 (Y2) GLASS THICKNESS (Y1), THE VALUE IN BRACKET IS FOR FROSTED GLASS | | | | | | | | | | | |
|-----------------------|------------|---|---------|---------|---------|---------|---------|---------|---------|----|---|---|---|
| 系列 SERIES | 类型 TYPE | 窗公称尺寸代号 CODE | | | | | | | | | | | |
| | | 1 | 2 | 3 | 4 | 5 | 6 | 7 | 8 | 9 | | | |
| N | E | 10 (15) | 10 (15) | 12 (19) | 12 (19) | 15 | - | 15 | - | 19 | - | - | - |
| | F | 8 (12) | 8 (12) | 8 (12) | 8 (12) | 10 (15) | 10 (15) | 12 (19) | 12 (19) | 15 | - | - | - |
| P | E | 见GB/T 17434 SEE GB/T 17434 | | | | | | | | | | | |
| | F | 见GB/T 17434 SEE GB/T 17434 | | | | | | | | | | | |
| H | E | 见ISO 3434 SEE ISO 3434 | | | | | | | | | | | |
| | F | 见ISO 3434 SEE ISO 3434 | | | | | | | | | | | |

6. 凸肩高度 HEIGHT OF SPIGOT

| 螺栓式 BOLTED TYPE | 开式 OPENING | 焊接式 WELDED TYPE | 开式 OPENING | 实际高度 ACTUAL HEIGHT | |
|-----------------------|---------------|-----------------------|---------------|--|--|
| | 闭式 FIXED | | 闭式 FIXED | 凸肩实际高度可在 矩形窗定货时确定 THE ACTUAL HEIGHT COULD BE DECIDED WHEN ORDER | |
| | | | | | |
| | | | | | |



船用普通矩形窗 MARINE ORDINARY RECTANGULAR WINDOW

GB/T 5746-2001

7. 材料组合代号 MATERIAL CODE

| 类型 TYPE | 安装形式 INSTALLATION | 材料 MATERIAL | | | 材料组合代号 MATERIAL CODE |
|---------------|----------------------|-------------------|---------------------|------------------------|-------------------------|
| | | 主窗框 MAIN FRAME | 窗扇框 GLASS HOLDER | 玻璃压板 GLASS RETAINER | |
| 开式 OPENING | 螺栓式 BOLTED | 铜 BRASS (1) | 铜 BRASS (1) | 铜 BRASS (1) | 111 |
| | | 钢 STEEL (2) | 钢 STEEL (2) | 钢 STEEL (2) | 222 |
| | | 铝 ALUM. (3) | 铝 ALUM. (3) | 铝 ALUM. (3) | 333 |
| | 焊接式 WELDED | 铜 BRASS (1) | 铜 BRASS (1) | 铜 BRASS (1) | 221 |
| | | 钢 STEEL (2) | 钢 STEEL (2) | 钢 STEEL (2) | 222 |
| | | 铝 ALUM. (3) | 铝 ALUM. (3) | 铝 ALUM. (3) | 233 |
| 闭式 FIXED | 螺栓式 BOLTED | 铜 BRASS (1) | 无 NO (0) | 铜 BRASS (1) | 101 |
| | | 钢 STEEL (2) | 无 NO (0) | 钢 STEEL (2) | 202 |
| | | 铝 ALUM. (3) | 无 NO (0) | 铝 ALUM. (3) | 303 |
| | 焊接式 WELDED | 铜 BRASS (1) | 无 NO (0) | 铜 BRASS (1) | 201 |
| | | 钢 STEEL (2) | 无 NO (0) | 钢 STEEL (2) | 202 |
| | | 铝 ALUM. (3) | 无 NO (0) | 铝 ALUM. (3) | 203 |

8. 材料代号 MATERIAL CODE

| 材料代号 MATERIAL CODE | 材料 MATERIAL |
|-----------------------|----------------|
| 1 | 铜材 BRASS |
| 2 | 钢材 STEEL |
| 3 | 铝材 ALUMINIUM |
| 0 | 无, NO |

9. 加热系列矩行窗的玻璃代号 HEATING SERIES GLASS CODE FOR REC. WINDOW

| 电源(电制) POWER SUPPLY | | 频率 FREQUENCY Hz | 过热保护装置 OVERHEATING PROTECTION | 最小功率负载 (W/m ²) | | |
|--|-----------------|--------------------|----------------------------------|-------------------------------|-------|-------|
| 电源 POWER SUPPLY | 电压 VOLTAGE V | | | 7 | 12 | 17 |
| 直流 DIRECT CURRENT DC | 24 | - | G | 7G01 | 12G01 | 17G01 |
| | | | S | 7S01 | 12S01 | 17S01 |
| | | | G | 7G02 | 12G02 | 17G02 |
| | | | S | 7S02 | 12S02 | 17S02 |
| | | | G | 7G03 | 12G03 | 17G03 |
| | | | S | 7S03 | 12S03 | 17S03 |
| | 110 | - | G | 7G11 | 12G11 | 17G11 |
| | | | S | 7S11 | 12S11 | 17S11 |
| | | | G | 7G12 | 12G12 | 17G12 |
| | | | S | 7S12 | 12S12 | 17S12 |
| | | | G | 7G13 | 12G13 | 17G13 |
| | | | S | 7S13 | 12S13 | 17S13 |
| 交流单相 ALTERNATING CURRENT SINGLE PHASE AC/1P | 220 | 50 | G | 7G14 | 12G14 | 17G14 |
| | | | S | 7S14 | 12S14 | 17S14 |
| | | | G | 7G31 | 12G31 | 17G31 |
| | | | S | 7S31 | 12S31 | 17S31 |
| | | | G | 7G32 | 12G32 | 17G32 |
| | | | S | 7S32 | 12S32 | 17S32 |
| | 115 | 60 | G | 7G33 | 12G33 | 17G33 |
| | | | S | 7S33 | 12S33 | 17S33 |
| | | | G | 7G34 | 12G34 | 17G34 |
| | | | S | 7S34 | 12S34 | 17S34 |
| | | | G | 7G35 | 12G35 | 17G35 |
| | | | S | 7S35 | 12S35 | 17S35 |
| 交流三相 ALTERNATING CURRENT THREE PHASES AC/3P | 220/380 | 50 | G | 7G36 | 12G36 | 17G36 |
| | | | S | 7S36 | 12S36 | 17S36 |
| | | | G | 7G37 | 12G37 | 17G37 |
| | | | S | 7S37 | 12S37 | 17S37 |
| | | | G | 7G38 | 12G38 | 17G38 |
| | | | S | 7S38 | 12S38 | 17S38 |
| | 440 | 60 | G | 7G37 | 12G37 | 17G37 |
| | | | S | 7S37 | 12S37 | 17S37 |
| | | | G | 7G38 | 12G38 | 17G38 |
| | | | S | 7S38 | 12S38 | 17S38 |
| | | | G | 7G38 | 12G38 | 17G38 |
| | | | S | 7S38 | 12S38 | 17S38 |

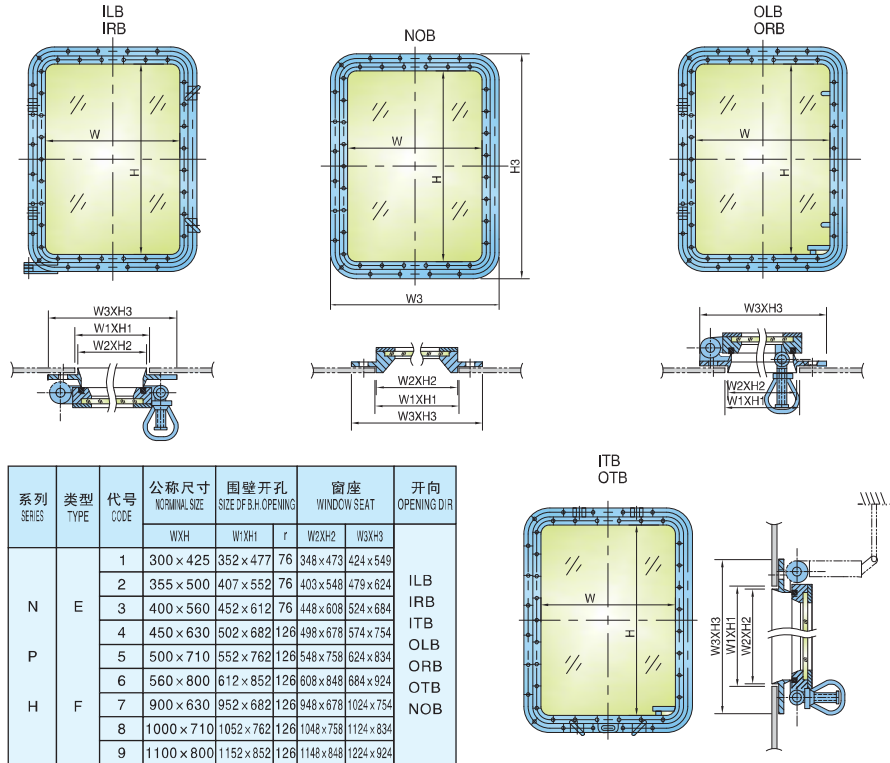
注: 1. G表示按组调整, S表示单件调整, 见ISO 3434: 1992的5.4.
1. "G" MEANS REGULATE GROUPLY, "S" MEANS ADJUST SINGLY.
2. 在近地极区域航行需要较大的电荷载时, 应同窗的制造商或加热玻璃的生产厂进行磋商。
2. WHEN THE SUBJECT VESSEL TRAVELS NEAR THE POLAR, BIG POWER IS NEEDED, PLEASE CONTACT WITH THE MANUFACTURER OF WINDOWS OR GLASS.



船用普通矩形窗 MARINE ORDINARY RECTANGULAR WINDOW

GB/T 5746-2001

10. 螺栓式矩形窗 BOLTED RECTANGULAR WINDOW



标记示例:

1. 一般系列螺栓式矩形窗(N)

一般系列(N), 重型(E), 公称尺寸450X630mm(代号4), 凸肩高度16mm, 侧铰链左内开螺栓式ILB, 材料组合为111, 透光玻璃(Y1)的矩形窗 矩形窗 N-E4X16-ILB-111-Y1 GB/T 5746-2001

2. 耐火系列螺栓式矩形窗(P)

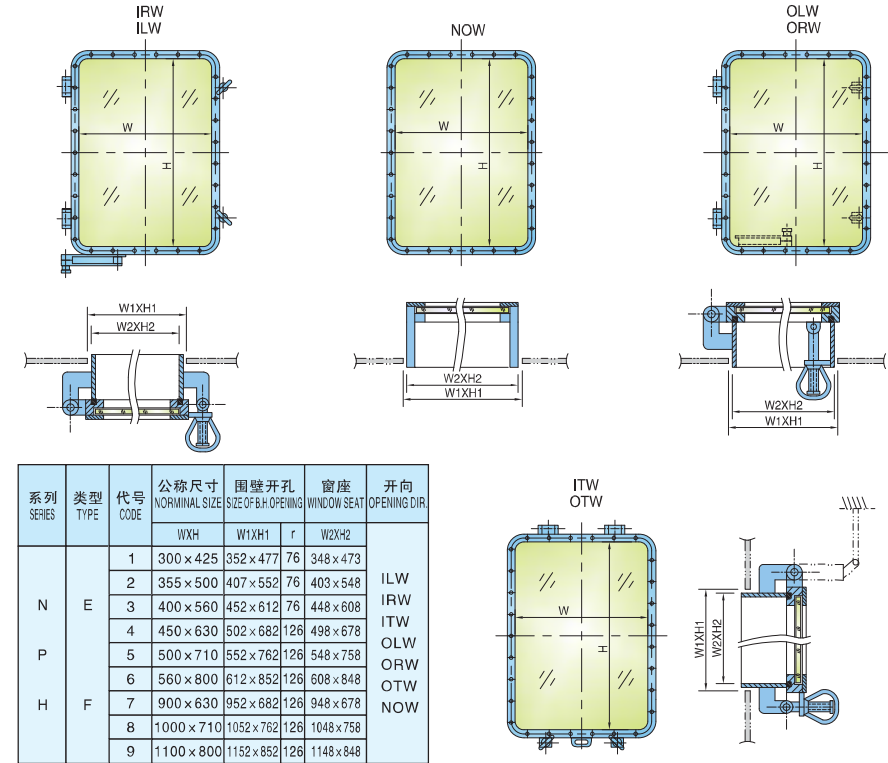
耐火系列(P), 轻型(F), 公称尺寸500X710mm(代号5), 凸肩高度16mm, 上铰链左内开螺栓式ITB, 材料组合为111, 耐火玻璃B-15的矩形窗 矩形窗 P-F5X16-ITB-111-B15 GB/T 5746-2001



船用普通矩形窗 MARINE ORDINARY RECTANGULAR WINDOW

GB/T 5746-2001

11. 焊接式矩形窗 WELDED RECTANGULAR WINDOW



标记示例:

1. 一般系列焊接式矩形窗(N)

一般系列(N), 轻型(F), 公称尺寸400X560mm(代号3), 凸肩高度30mm, 上铰链外上开焊接式OTW, 材料组合为211, 磨砂玻璃(Y2)的矩形窗 矩形窗 N-F3X30-OTW-211-Y2 GB/T 5746-2001

2. 加热系列焊接式矩形窗(H)

加热系列(H), 轻型(F), 公称尺寸1000X710mm(代号8), 凸肩高度30mm, 固定型焊接式(NOW), 材料组合为201, 单件调整, 带过热保护装置, 功率负载17W/cm², 交流三相220/380V 60HZ电流供应的加热玻璃(代号17S36)的矩形窗 矩形窗 H-F8X30-NOW-201-17S36 GB/T 5746-2001

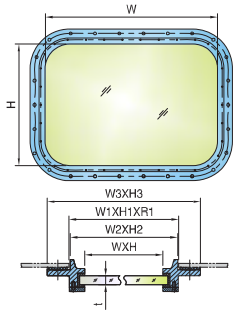


驾驶室固定矩形窗
FIXED RECTANGULAR WINDOW FOR WHEEL HOUSE

CB/T 3226-1995

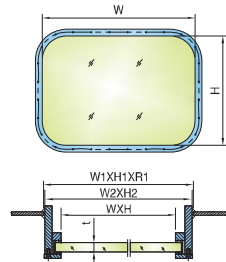
螺栓式驾驶室固定矩形窗

BOLTED FIXED RECTANGULAR WINDOW FOR WHEELHOUSE



焊接式驾驶室固定矩形窗

WELDED FIXED RECTANGULAR WINDOW FOR WHEELHOUSE



驾驶室固定矩形窗安装的电加热玻璃应符合ISO 3434的规定，玻璃所需功率负荷及其参数按下表规定

| 窗框形式 FRAME TYPE | 名称 DESCRIPTION | 窗框材质 FRAME MATERIAL |
|--------------------|--------------------------------------|------------------------|
| BH | 电加热玻璃螺栓固定式矩形窗 BOLTED, HEATING GLASS | 铝合金ALUMINUM |
| BN | 钢化玻璃螺栓固定式矩形窗 BOLTED, TOUGHENED GLASS | 铜 BRASS |
| WH | 电加热玻璃焊接式固定矩形窗 WELDED, HEATING GLASS | 碳素钢 |
| WN | 钢化玻璃焊接式固定矩形窗 WELDED, SAFETY GLASS | CARBON STEEL |

| 电源 POWER | 电压 VOLTAGE | 频率 FREQUENCY | 过热保护 OVER-HEATING PROTECTION | 最小功率负荷WOW ¹ | | |
|-------------|---------------|-----------------|------------------------------------|------------------------|-------|-------|
| | | | | 7 | 12 | 17 |
| | | | | 代号CODE | | |
| 直流 DC | 24 | — | G | 7G01 | 12G01 | 17G01 |
| | | | S | 7S01 | 12S01 | 17S01 |
| | | | G | 7G02 | 12G02 | 17G02 |
| | 110 | — | S | 7S02 | 12S02 | 17S02 |
| | | | G | 7G03 | 12G03 | 17G03 |
| | | | S | 7S03 | 12S03 | 17S03 |

| 类型 TYPE | 公称尺寸 NOMINAL DIM. | 窗座 WINDOW FRAME | | | 围壁开口 SIZE OF B.H. OPENING | | 玻璃厚度 GLASS TH. | | 重量 WEIGHT KG |
|------------|----------------------|--------------------|-----------|----------|------------------------------|----|-------------------|------|--------------------|
| | | WXH | W2XH2 | W3XH3 | W1XH1 | R | BH | BN | |
| BH | 800X630 | 848X678 | 930X760 | 852X682 | 12 | 15 | 25.5 | 25.9 | |
| | 800X710 | 848X758 | 930X840 | 852X762 | 12 | 15 | 28.1 | 28.7 | |
| | 900X630 | 948X678 | 1030X760 | 952X682 | 12 | 17 | 28.2 | 30.0 | |
| | 900X710 | 948X758 | 1030X840 | 952X762 | 12 | 17 | 30.9 | 32.9 | |
| | 900X800 | 948X848 | 1030X930 | 952X852 | 12 | 17 | 33.9 | 36.1 | |
| | 1200X630 | 1248X678 | 1330X760 | 1252X682 | 15 | 20 | 41.6 | 44.0 | |
| | 1200X710 | 1248X758 | 1330X840 | 1252X762 | 15 | 20 | 45.9 | 48.6 | |
| | 1200X800 | 1248X848 | 1330X930 | 1252X852 | 15 | 20 | 50.6 | 53.6 | |
| | BN | 1500X710 | 1548X758 | 1630X840 | 1552X762 | 15 | 20 | 56.1 | 59.4 |
| | | 1500X800 | 1548X848 | 1630X930 | 1552X852 | 15 | 20 | 61.2 | 64.9 |
| 1800X710 | | 1848X758 | 1930X840 | 1852X762 | 15 | 20 | 66.3 | 70.3 | |
| 1800X800 | | 1848X848 | 1930X930 | 1852X852 | 15 | 20 | 72.4 | 76.8 | |
| 1800X900 | | 1848X948 | 1930X1030 | 1852X952 | 15 | 20 | 77.5 | 82.5 | |

| 类型 TYPE | 公称尺寸 NOMINAL DIM. | 窗座 WINDOW FRAME | | | 围壁开口 SIZE OF B.H. OPENING | | 玻璃厚度 GLASS TH. | | 重量 WEIGHT KG |
|------------|----------------------|--------------------|----------|----------|------------------------------|-------|-------------------|------|--------------------|
| | | WXH | W2XH2 | W1XH1 | R | WH | WN | | |
| WH | 800X630 | 848X678 | 852X682 | 12 | 15 | 41.3 | 41.8 | | |
| | 800X710 | 848X758 | 852X762 | 12 | 15 | 44.2 | 44.8 | | |
| | 900X630 | 948X678 | 952X682 | 12 | 17 | 45.1 | 46.9 | | |
| | 900X710 | 948X758 | 952X762 | 12 | 17 | 48.5 | 50.5 | | |
| | 900X800 | 948X848 | 952X852 | 12 | 17 | 52.4 | 54.6 | | |
| | 1200X630 | 1248X678 | 1252X682 | 15 | 20 | 60.9 | 63.3 | | |
| | 1200X710 | 1248X758 | 1252X762 | 15 | 20 | 66.6 | 69.2 | | |
| | 1200X800 | 1248X848 | 1252X852 | 15 | 20 | 72.2 | 75.2 | | |
| | WN | 1500X710 | 1548X758 | 1552X762 | 15 | 20 | 79.8 | 83.1 | |
| | | 1500X800 | 1548X848 | 1552X852 | 15 | 20 | 86.4 | 90.1 | |
| 1800X710 | | 1848X758 | 1852X762 | 15 | 20 | 93.1 | 97.1 | | |
| 1800X800 | | 1848X848 | 1852X852 | 15 | 20 | 100.4 | 104.8 | | |
| 1800X900 | | 1848X948 | 1852X952 | 15 | 20 | 108.6 | 113.6 | | |

标记示例:

公称尺寸900X630mm 钢化玻璃的螺栓式驾驶室固定矩形窗

驾驶室窗 BN-900X630 CB/T 3226-1995

公称尺寸1500X800mm 电加热玻璃，电热丝加热，最小功率负荷为12W/dm²，过热保护装置为成组调节器，电源为交流单相，电压220V，频率60HZ(12G14)的焊接式驾驶室固定矩形窗

驾驶室窗 WH-1500X800 12G 14 CB/T 3226-1995

驾驶室窗 WN-1500X800 12G 14 CB/T 3226-1995



驾驶室电加热玻璃温控系统*
TEMPERATURE CONTROL SYSTEM FOR HEATING GLASSES IN WHEELHOUSE

| 类型 TYPE | 示意图 SKETCH | 简要说明 INSTRUCTION |
|------------|---------------|--|
| WK03 | | 浅黄色外壳，输入电压220VAC或110VAC，最大输出电流16A，热敏电阻为MF111-2或TTF-103，出厂前贴在玻璃上，装拆玻璃方便，出厂设定的温度调控范围为36°C~40°C。 Light yellow shell, Input power 220VAC or 110VAC, Max. output current 16A, sensor MF111-2 or TTF103. The controller is pasted on the glass before delivery with convenience for mounting and dismantling glass. The initial temperature range is 36°C~40°C. |
| WK07 | | 黑色外壳，输入电压220VAC或110VAC，最大输出电流30A，热敏电阻MF111-2或TTF-103，出厂前贴在玻璃上，防护性能好，装拆玻璃方便，能防止玻璃过热烧坏，出厂设定的温度调控范围为36°C~40°C。 Black shell, Input power 220VAC or 110VAC, Max. output current 30A, sensor MF111-2 OR TTF103. The controller is pasted on the glass before delivery with good protection grade and convenience for mounting and dismantling glass, and also could protect the glass from failure result form overhot. The initial temperature range is 36°C~40°C. |
| WK08 | | 输入电压220VAC或110VAC，最大输出电流30A，热敏电阻MF111-2或TTF-103，装在架控台上，出厂设定的温度调控范围为36°C~40°C。 Input power 220VAC or 110VAC, Max. output current 30A, sensor MF111-2 OR TTF103. The controller could be mounted on the console, The initial temperature range is 36°C~40°C. |
| WK10A | | 输入电压220VAC或110VAC，最大输出电流30A，热敏电阻PT100，装在架控台上，仪表显示玻璃的当前温度，可按客户要求将数个温控器单元组合在一起，单独控制各玻璃块玻璃，出厂设定的温度调控范围为36°C~40°C。 Input power 220VAC or 110VAC, Max. output current 30A, sensor PT100. The controller is mounted on the console, the current temperature of the glass is displayed on the instrument. Some units could be integrated and control the glasses respectively. The initial temperature range is 36°C~40°C. |

*驾驶室电加热玻璃温控系统是本公司针对驾驶室电加热窗如何更好的实现加热、调温而单独引进或开发的系统。

用户订货时可根据需要选择适宜的温控类型。

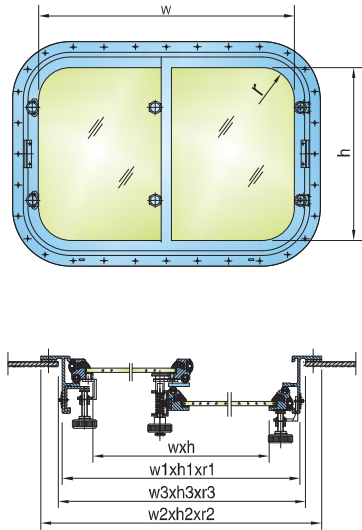
THE TEMPERATURE CONTROL SYSTEM FOR HEATING GLASS IN WHEEL HOUSE IS OUR COMPANG DEVELOPPED IN ORDER TO IMPROVE THE HEATING AND CONTROL PROPERTY FOR HEATING GLASS. THE USER CAN CHOOSE APPLICABLE TYPE IF NEED



舰船装备 出类拔萃 海联产品 情联四海

铝质移窗 ALUMINIUM SLIDING WINDOW

CB/T 3765-1996



| 序号 CODE | 公称尺寸 wxh NOMINAL SIZE mm | 例图 ILLUSTRATION |
|------------|--------------------------------|--------------------|
| 1 | 740X500 | |
| 2 | 830X560 | |
| 3 | 930X630 | |
| 4 | 1030X710 | |
| 5 | 500X630 | |
| 6 | 600X710 | |
| 7 | 750X800 | |

| 公称尺寸 NOMINAL SIZE wxh | 单扇窗透光尺寸 SINGLE LIGHT SIZE wxhxr | 窗座尺寸 WINDOW FRAME SIZE | | 围壁开口尺寸 SIZE OF B.H. OPENING w3xh3xr3 | 玻璃外形尺寸 GLASS SIZE | | 窗座安装 螺栓数量 (个) | 最大允许压力 Kpa | | 重量 WEIGHT Kg | |
|-----------------------------|---------------------------------------|---------------------------|--------------|--|----------------------|-------------|---------------------|---------------|-----|-----------------|------|
| | | w1xh1xr1 | w2xh2xr2 | | 厚度t | w4xh4xr4 | | t=8 | t=6 | t=8 | t=6 |
| 740X500 | 355X500X50 | 828X588X94 | 890x650x125 | 840x600x100 | 6.8 | 373x518x58 | 20 | 45 | 26 | 20.0 | 18.9 |
| 830X560 | 400X560X50 | 918X648X94 | 980x710x125 | 930x660x100 | | 418x578x58 | 24 | 36 | 21 | 21.9 | 20.7 |
| 930X630 | 450X630X100 | 1018x718x144 | 1080x780x175 | 1030x730x150 | | 468x646x108 | 26 | 28 | 16 | 24.8 | 23.3 |
| 1030X710 | 500X710X100 | 1118x798x144 | 1180x860x175 | 1130x810x150 | | 518x726x108 | 30 | 23 | 13 | 28.0 | 26.1 |
| 500X630 | 235X630X50 | 588X718X94 | 650x780x125 | 600x730x100 | | 253x648x58 | 18 | 66 | 37 | 18.6 | 17.8 |
| 600X710 | 285X710X50 | 688X798X94 | 750x860x125 | 700x810x100 | | 303x726x58 | 22 | 46 | 26 | 21.5 | 20.4 |
| 750X800 | 360X800X50 | 838X888X94 | 900x950x125 | 850x900x100 | | 378x818x58 | 26 | 30 | 18 | 25.6 | 24.0 |

标记示例:

公称尺寸为600X710mm, 玻璃厚度为8mm的右移铝质移窗
铝质移窗 600X710-8-R CB/T 3765-1996



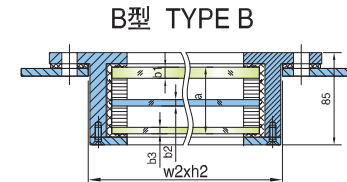
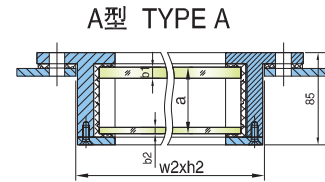
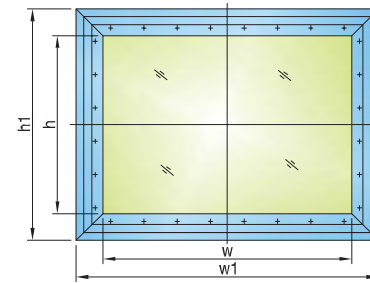
舰船装备 出类拔萃 海联产品 情联四海

铝合金中空玻璃隔声窗 ALUMINIUM ALLOY SOUNDPROOF WINDOW

CB/T 3917-2011

适用于各种舰船上需要隔声、隔热、保温要求的舱室。

USED FOR THE CABIN WHICH NEEDS SOUNDPROOF, HEAT INSULATION AND KEEPING TEMPERATURE



A型 TYPE A

B型 TYPE B

| A型 TYPE A | | | | | | | | | | B型 TYPE B | | | | | | | | | | | | | |
|-------------------------|-----------|----------------------------|----|---------------------------------|-----|----------------------|-----------|-------------------------|-------|-------------------------|--------------|-------------------------|----|----------------------------|-------|---------------------------------|-----------|----------------------|--------|-------------------------|----|-------------------------|--------------|
| 公称尺寸 NOMINAL SIZE | | 外形尺寸 SIZE OF OUTLINE | | 围壁开口 SIZE OF B.H. OPENING | | 玻璃厚度 GLASS THICK. | | 窗框螺钉 INSTALL BOLT | | 平均隔声量 SOUND PROOF | 重量 WEIGHT | 公称尺寸 NOMINAL SIZE | | 外形尺寸 SIZE OF OUTLINE | | 围壁开口 SIZE OF B.H. OPENING | | 玻璃厚度 GLASS THICK. | | 窗框螺钉 INSTALL BOLT | | 平均隔声量 SOUND PROOF | 重量 WEIGHT |
| wxh | w1Xh1 | w2Xh2 | a | b1 | b2 | 个数 QTY | 直径 DIM | TL(dB) | KG | wxh | w1Xh1 | w2Xh2 | a | b1 | b2 | b3 | 个数 QTY | 直径 DIM | TL(dB) | KG | | | |
| 500X710 | 640X850 | 570X780 | 6 | 22 | ≥31 | 25.26 | M12 | ≥34 | 56.67 | 900X630 | 1040X770 | 970X700 | 6 | 26 | ≥31.8 | 35.48 | 32 | M12 | ≥37.1 | 71.27 | | | |
| 1000X800 | 1140X940 | 1070X870 | | | | | | | | 1000X800 | 1140X940 | 1070X870 | | | | | | | | | 8 | 36 | 70.11 |
| 1200X800 | 1340X940 | 1270X870 | 60 | 8 | 6 | 34 | M12 | ≥34 | 56.67 | 1400X800 | 1540X940 | 1470X870 | 60 | 6 | 6 | 34 | M12 | ≥36.6 | 117.39 | | | | |
| 1600X1000 | 1740X1140 | 1670X1070 | | | | | | | | 1600X1000 | 1740X1140 | 1670X1070 | | | | | | | | 10 | 40 | 93.38 | |
| 1800X1200 | 1940X1340 | 1870X1270 | 10 | 40 | ≥32 | 93.38 | 44 | ≥30.5 | 119.9 | 1800X1200 | 1940X1340 | 1870X1270 | 10 | 40 | ≥36.6 | 117.39 | 44 | ≥30.5 | 119.9 | | | | |
| 1800X1200 | 1940X1340 | 1870X1270 | | | | | | | | 1800X1200 | 1940X1340 | 1870X1270 | | | | | | | | 10 | 40 | 93.38 | |

标记示例:

公称尺寸为1000mmX800mm 的A型隔声窗 隔声窗 A1000X800 CB/T 3917-2011
公称尺寸为1000mmX800mm 的B型隔声窗 隔声窗 B1000X800 CB/T 3917-2011



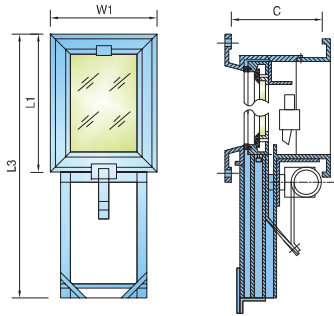
舰船装备 出类拔萃 海联产品 情联四海

铝质衡力升降式船用窗 ALUMINIUM BALANCED LIFT MARINE WINDOW

CB/T3755-1995

本产品具有开启轻便、灵活、外形美观、密封性能可靠等特点，广泛适用于各类船舶。

ITS ADVANTAGE IS FLEXIBLE-OPENING, GOOD OUTLINE AND RELIABLE TIGHTNESS USED FOR VARIOUS KINDS OF SHIPS



| 公称尺寸 NOMINAL SIZE WXL | 外形尺寸 SIZE OF OUTLINE W1xL1 | | 围壁开口 SIZE OF B.H. OPENING W2XL2 | 玻璃厚度 GLASS THICKNESS |
|-----------------------------|----------------------------------|------------------|---------------------------------------|-------------------------|
| | 90≤C≤120 | C > 120 | | |
| 300X425 | 424x1050 550 | 424x970 550 | 378X503 | 5,6 |
| 355X500 | 480x1200 625 | 480x1120 625 | 433X578 | 5,6 |
| 400X560 | 524x1320 685 | 524x1240 685 | 478X638 | 5,6 |
| 450X630 | 574x1460 755 | 574x1380 755 | 528X708 | 5,6 |
| 500X710 | 624x1620 835 | 624x1540 835 | 578X778 | 6,8 |
| 560X800 | 684x1800 925 | 684x1720 925 | 638X878 | 6,8 |
| 900X630 | 1024x1460 755 | 1024x1380 755 | 978X708 | 6,8 |
| 1000X710 | 1124x1620 835 | 1124x1540 835 | 1078X788 | 8,10 |
| 1100X800 | 1224x1800 925 | 1224x1720 925 | 1178X878 | 8,10 |

标记示例:

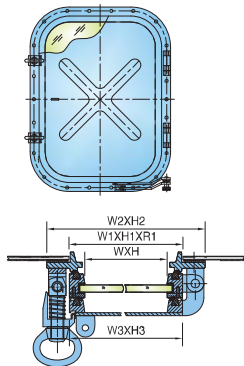
透光尺寸为400X560mm, C为90的铝质衡力升降式船用窗
铝质衡力窗 400X560-90 CB/T3755-1995

带风暴盖内开侧铰链铝质矩形窗 ALUMINIUM INWARD SIDE-HINGED RECTANGULAR WINDOW WITH DEADLIGHT

261WHL057-00

本产品已广泛用于军舰、化学品船、高速船舶，密封性好。

USED WIDELY FOR WARSHIP, CHEMICAL TANKER AND HIGH SPEED VESSEL WITH GOOD TIGHTNESS.



| 类型 TYPE | 透光尺寸 LIGHT SIZE WXH | 围壁开孔尺寸 WALL CUT SIZE W1XH1XR1 | 外形尺寸 OUTLINE SIZE W2XH2XR2 | 风暴盖尺寸 DEADLIGHT SIZE W3XH3 |
|------------|---------------------------|-------------------------------------|----------------------------------|----------------------------------|
| 左内 LI | 300X425 | 352X477XR76 | 424X549 | 350X475 |
| | 355X500 | 407X552XR76 | 479X624 | 405X550 |
| | 400X560 | 452X612XR76 | 524X684 | 450X610 |
| | 450X630 | 502X682XR126 | 574X754 | 500X680 |
| 右内 RI | 500X710 | 552X762XR126 | 624X834 | 550X760 |
| | 560X800 | 612X852XR126 | 684X924 | 610X850 |

标记示例:

透光尺寸为450X630mm左内开(LI),带风暴盖内开侧铰链铝质矩形窗,
带风暴盖矩形窗 450X630-LI 261WHL057-00



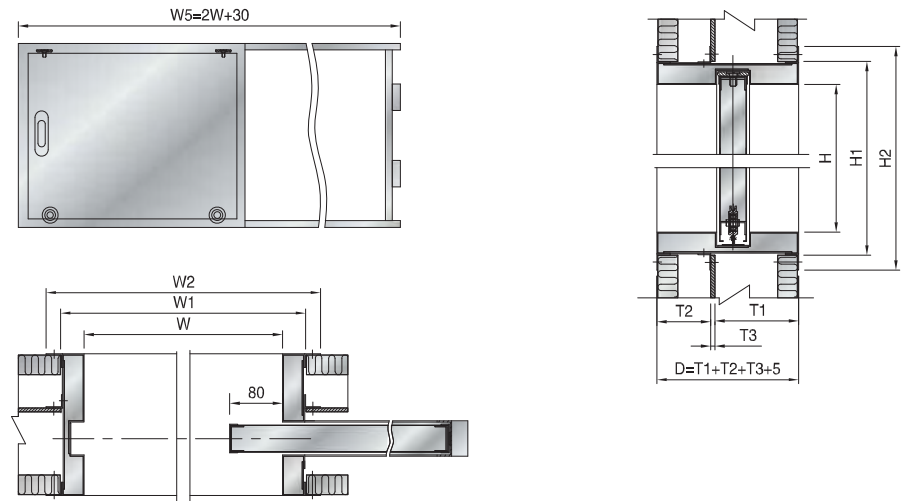
舰船装备 出类拔萃 海联产品 情联四海

阻火型服务窗 FIRE RESISTANCE SERVICE WINDOW

CB*3288-1987

本产品适用于厨房，配餐间，储藏室，小卖部等场所。

USED FOR GALLEY, PANTRY, STORE AND SHOP, ECT. OF SHIP



| 类型 TYPE | 透光尺寸 LIGHT SIZE WXH | 围壁开口 SIZE OF B.H. OPENING W1XH1 | 窗框尺寸 SIZE OF FRAME W2XH2 | 滑轨长度 LENGTH OF GUIDE W5 | 窗框深度 FRAME DEPTH D | 重量 WEIGHT KG | |
|------------|---------------------------|---------------------------------------|--------------------------------|-------------------------------|--------------------------|-----------------------|-------------------|
| | | | | | | 不锈钢 STAINLESS A | 铝合金 ALLOY B |
| A | 630X500 | 696X566 | 750X620 | 1290 | 180 | 31.8 | 16.2 |
| | 900X630 | 966X696 | 1050X750 | 1830 | | 45.6 | 23.4 |
| | 1100X800 | 1167X867 | 1220X920 | 2230 | 220 | 62.6 | 31.7 |
| | 1400X1000 | 1467X1067 | 1520X1120 | 2830 | | 86.8 | 41.4 |
| | 1800X1100 | 1868X1168 | 1920X1220 | 3630 | 260 | 115.2 | 59.2 |
| | 2300X1200 | 2368X1268 | 2420X1320 | 4630 | | 148.8 | 76.5 |

标记示例:

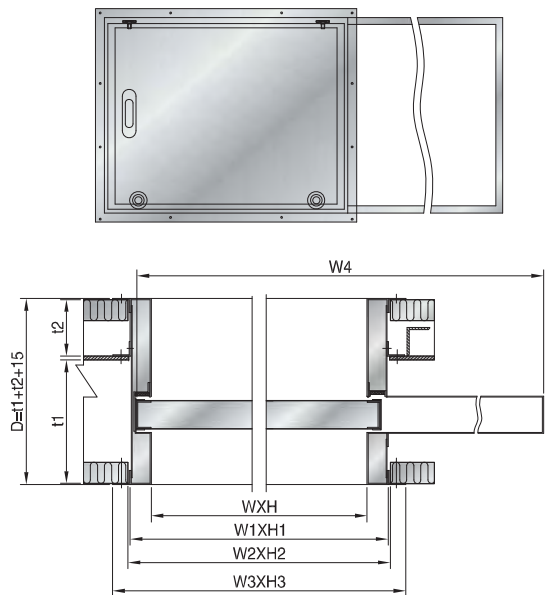
透光尺寸为630X500 A型阻火服务窗
阻火型服务窗 A630X500 CB*3288-1987



舰船装备 出类拔萃 海联产品 情联四海

A15防火服务窗
A15 FIREPROOF SERVICE WINDOW

261WHL028-00



| 透光尺寸 LIGHT SIZE WXH | 围壁开孔尺寸 WALL CUT SIZE W2XW2 | 窗框尺寸 SIZE OF FRAME | | 滑轨长度 LENGTH OF GUIDE W4 | 窗框深度 FRAME DEPTH D | 重量 WEIGHT KG |
|---------------------------|----------------------------------|-----------------------|-----------|-------------------------------|--------------------------|--------------------|
| | | W1XH1 | W3XH3 | | | |
| 630X500 | 696X566 | 690X560 | 750X620 | 1290 | 185 | 33.1 |
| 900X630 | 966X696 | 960X690 | 1020X750 | 1830 | | 47.3 |
| 1100X800 | 1167X867 | 1160X860 | 1220X920 | 2230 | 225 | 64.6 |
| 1400X1000 | 1467X1067 | 1460X1060 | 1520X1120 | 2830 | | 89.3 |

标记示例:

透光尺寸为630X500,A15防火服务窗

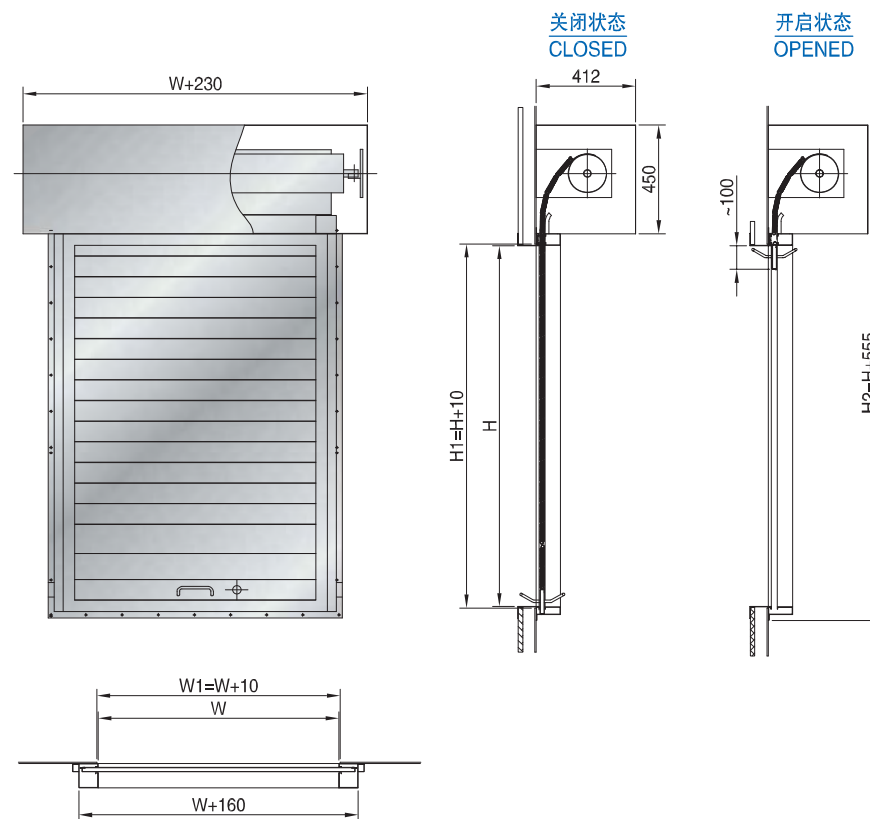
A15防火服务窗 630X500 261WHL028-00



舰船装备 出类拔萃 海联产品 情联四海

A0级防火卷帘窗
A0 ROLL-UP FIRE WINDOW

261WHL080-00



最大透光尺寸为2000X1500mm (宽X高)

The maximum size is 2000X1500 (width x height).

标记示例:

透光尺寸为630X1000,A0级防火卷帘窗

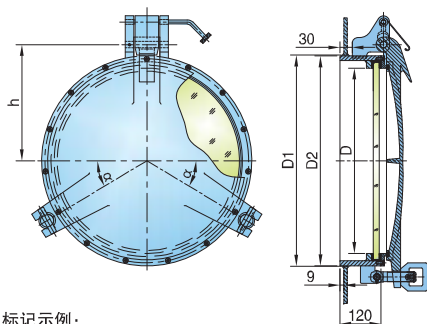
A0级防火卷帘窗 630X1000 261WHL080-00



舰船装备 出类拔萃 海联产品 情联四海

A0级防火舷窗
A0 CLASS FIREPROOF SIDE SCUTTLE

261WHL065-00
261WHL506-00



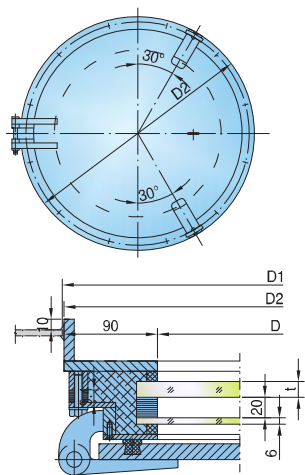
标记示例：
透光尺寸为 $\phi 450$ mm的A0级防火舷窗
A0舷窗 $\phi 450$ 261WHL065-00

| 公称尺寸 NOMINAL SIZE D | 围壁开孔尺寸 SIZE OF B.H. OPENING D1 | 外形尺寸 SIZE OF OUTLINE D2 | 玻璃厚度 GLASS THICK. t | |
|---------------------------|--------------------------------------|-------------------------------|---------------------------|----------|
| | | | 重型HEAVY | 中型MEDIUM |
| $\phi 200$ | $\phi 253$ | $\phi 250$ | 15 | 15 |
| $\phi 250$ | $\phi 308$ | $\phi 305$ | 15 | 15 |
| $\phi 300$ | $\phi 363$ | $\phi 360$ | 15 | 15 |
| $\phi 350$ | $\phi 413$ | $\phi 410$ | 15 | 15 |
| $\phi 400$ | $\phi 463$ | $\phi 460$ | 19 | 15 |
| $\phi 450$ | $\phi 513$ | $\phi 510$ | 19 | 15 |
| $\phi 500$ | $\phi 563$ | $\phi 560$ | 19 | 15 |

$\phi 500$ 的A0级防火舷窗图号为261WHL506-00
DWG.NO.OF $\phi 500$ DIA.
AO SIDE SCUTTLE IS 261WHL506-00

A60级防火舷窗
A60 CLASS FIREPROOF SIDE SCUTTLE

261WHL061-00



| 公称尺寸 NOMINAL SIZE D | 围壁开孔尺寸 SIZE OF B.H. OPENING D1 | 外形尺寸 SIZE OF OUTLINE D2 | 主玻璃厚度 PRESSURE GLASS THICK. | |
|---------------------------|--------------------------------------|-------------------------------|--------------------------------|----------|
| | | | 重型HEAVY | 中型MEDIUM |
| $\phi 200$ | $\phi 383$ | $\phi 380$ | 15 | 15 |
| $\phi 250$ | $\phi 433$ | $\phi 430$ | 15 | 15 |
| $\phi 300$ | $\phi 483$ | $\phi 480$ | 15 | 15 |
| $\phi 350$ | $\phi 533$ | $\phi 530$ | 15 | 15 |
| $\phi 400$ | $\phi 583$ | $\phi 580$ | 19 | 15 |
| $\phi 450$ | $\phi 633$ | $\phi 630$ | 19 | 15 |

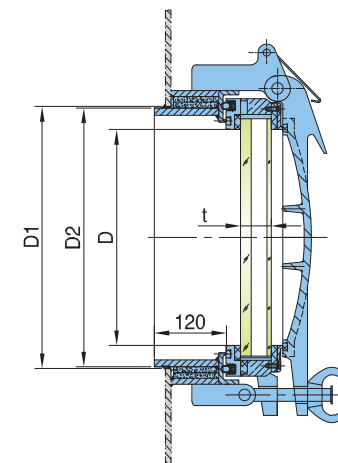
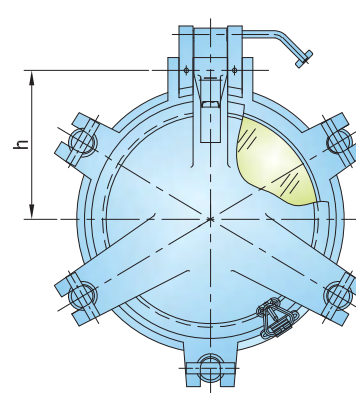
标记示例：
透光尺寸为 $\phi 450$ mm的A60级防火舷窗
A60舷窗 $\phi 450$ 261WHL061-00



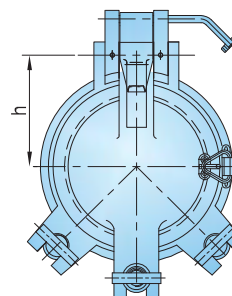
舰船装备 出类拔萃 海联产品 情联四海

A60焊接式开启舷窗
A60 CLASS WELDED HINGED SIDE SCUTTLE

261WHL073-00



D=250, 200



| 公称尺寸 NOMINAL SIZE D | 围壁开孔尺寸 SIZE OF B.H. OPENING D1 | 外形尺寸 SIZE OF OUTLINE D2 | 玻璃厚度 GLASS THICK. t | |
|---------------------------|--------------------------------------|-------------------------------|---------------------------|----------|
| | | | 重型HEAVY | 中型MEDIUM |
| $\phi 200$ | $\phi 253$ | $\phi 250$ | 15+22A+6 | 15+22A+6 |
| $\phi 250$ | $\phi 308$ | $\phi 305$ | 15+22A+6 | 15+22A+6 |
| $\phi 300$ | $\phi 363$ | $\phi 360$ | 15+22A+6 | 15+22A+6 |
| $\phi 350$ | $\phi 413$ | $\phi 410$ | 15+22A+6 | 15+22A+6 |
| $\phi 400$ | $\phi 463$ | $\phi 460$ | 19+22A+6 | 15+22A+6 |
| $\phi 450$ | $\phi 513$ | $\phi 510$ | 19+22A+6 | 15+22A+6 |

标记示例：
透光尺寸为 $\phi 450$ mm的A60焊接式开启舷窗
A60焊接式开启舷窗 $\phi 450$ 261WHL073-00

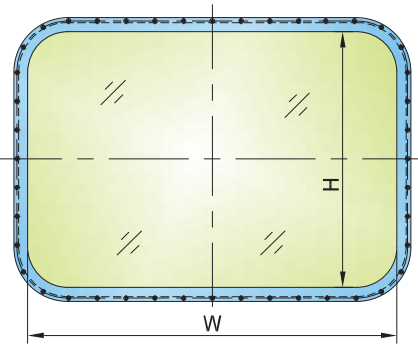


舰船装备 出类拔萃 海联产品 情联四海

A0级防火矩形窗
A0 CLASS FIRE RETARDING RECTANGULAR WINDOW

261WHL062-00
261WHL063-00

玻璃也可为加热玻璃
THE GLASS COULD ALSO BE HEATING GLASS IF NEED.



261 WHL062-00

| 公称尺寸 NOMINAL SIZE WXH | 围壁开孔尺寸 SIZE OF B.H. OPENING W1XH1XR1 | 外形尺寸 SIZE OF OUTLINE W2XH2 | 玻璃厚度 GLASS THICK | |
|-----------------------------|--|----------------------------------|---------------------|----------|
| | | | 重型HEAVY | 中型MEDIUM |
| 355X500 | 429X574XR87 | 425X570 | 19 | 19 |
| 450X630 | 524X704XR137 | 520X700 | 19 | 19 |
| 500X710 | 574X784XR137 | 570X780 | 19 | 19 |
| 900X630 | 974X704XR137 | 970X700 | 19 | 19 |
| 1200X800 | 1274X874XR137 | 1270X870 | 19 | 19 |
| 1500X1000 | 1574X1074XR137 | 1570X1070 | 19 | 19 |

261 WHL063-00

| 公称尺寸 NOMINAL SIZE WXH | 围壁开孔尺寸 SIZE OF B.H. OPENING W1XH1XR1 | 外形尺寸 SIZE OF OUTLINE W2XH2 | 玻璃厚度 GLASS THICK | |
|-----------------------------|--|----------------------------------|---------------------|----------|
| | | | 重型HEAVY | 中型MEDIUM |
| 355X500 | 459X604XR126 | 455X600 | 12 | 12 |
| 450X630 | 554X734XR126 | 550X730 | 12 | 12 |
| 500X710 | 604X814XR126 | 600X810 | 15 | 12 |
| 900X630 | 1004X734XR126 | 1000X730 | 19 | 12 |
| 1200X800 | 1304X904XR126 | 1300X900 | 19 | 15 |
| 1500X1000 | 1604X1104XR126 | 1600X1100 | 19 | 19 |
| 1500X1200 | 1604X1304XR126 | 1600X1300 | 22 | 19 |
| 1800X1500 | 1904X1604XR126 | 1900X1600 | 22 | 19 |
| 2000X1600 | 2104X1704XR126 | 2100X1700 | 22 | 19 |
| 2400X1700 | 2504X1804XR126 | 2500X1800 | 22 | 19 |

标记示例：
透光尺寸为1500X1200mm的A0级防火矩形窗
A0级防火矩形窗 1500X1200 261WHL063-00

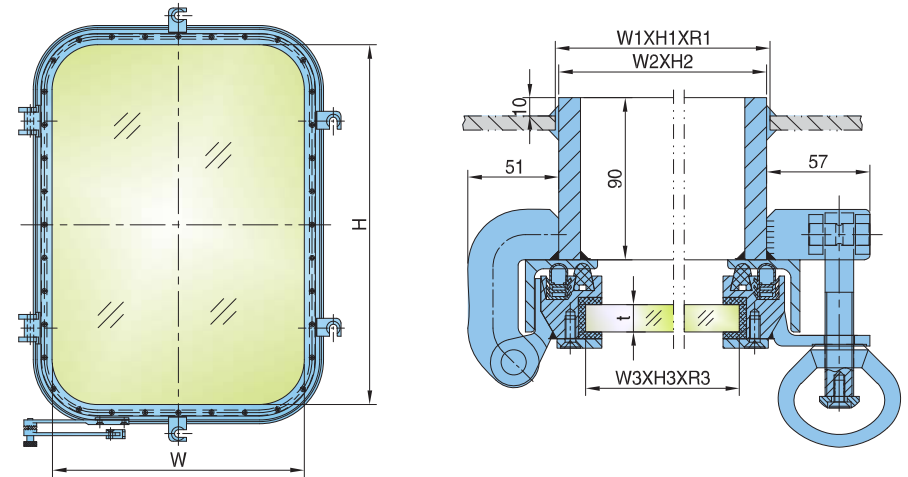


舰船装备 出类拔萃 海联产品 情联四海

A0级防火开式矩形窗
A0 CLASS FIREPROOF OPEN TYPE RECTANGULAR WINDOW

261WHL064-00

玻璃也可为加热玻璃
THE GLASS COULD ALSO BE HEATING GLASS IF NEED.



| 序号 NO | 公称尺寸 NOMINAL SIZE WXH | 围壁开孔尺寸 SIZE OF B.H. OPENING W1XH1XR1 | 外形尺寸 SIZE OF OUTLINE W2XH2 | 玻璃厚度 GLASS THICK | | 玻璃尺寸 SIZE OF GLASS W3XH3XR3 |
|----------|-----------------------------|--|----------------------------------|---------------------|----------|-----------------------------------|
| | | | | 重型HEAVY | 中型MEDIUM | |
| 1 | 300X425 | 352X477XR76 | 348X473 | 15 | 15 | 318X443XR59 |
| 2 | 355X500 | 407X552XR76 | 403X548 | 15 | 15 | 373X518XR59 |
| 3 | 400X560 | 452X612XR76 | 448X608 | 15 | 15 | 418X578XR59 |
| 4 | 450X630 | 502X682XR126 | 498X678 | 15 | 15 | 468X648XR109 |
| 5 | 500X710 | 552X762XR126 | 548X758 | 15 | 15 | 518X728XR109 |
| 6 | 560X800 | 612X852XR126 | 608X848 | 15 | 15 | 578X818XR109 |

标记示例：
透光尺寸为560X800mm的A0级防火开式矩形窗(左内)
A0级防火开式矩形窗 560X800-LI 261WHL064-00

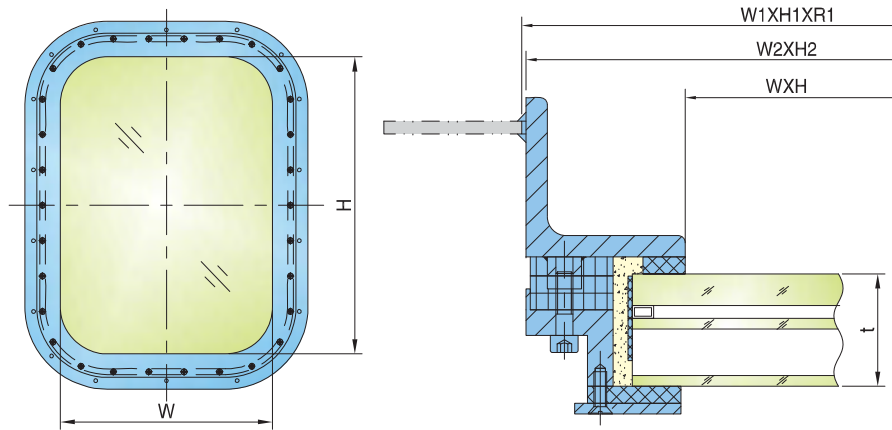


舰船装备 出类拔萃 海联产品 情联四海

A60级高隔声防火窗 A60 FIREPROOF HIGH SOUND-REDUCTION WINDOW

261WHL069-00

本窗的隔声值为46 dB.
THE SOUND REDUCTION VALUE OF THIS WINDOW IS 46 dB.



mm

| 公称尺寸 NOMINAL SIZE WXH | 围壁开孔尺寸 SIZE OF B. H. OPENING W1XH1XR | 外形尺寸 SIZE OF OUTLINE W2XH2 | 玻璃厚度 GLASS THICK | |
|-----------------------------|--|----------------------------------|--|---------------|
| | | | E | F |
| 355X500 | 509X654XR76 | 505X650 | 12+6A+8+22A+5 | 12+6A+8+22A+5 |
| 400X560 | 554X714XR76 | 550X710 | 12+6A+8+22A+5 | 12+6A+8+22A+5 |
| 450X630 | 604X784XR126 | 600X780 | 12+6A+8+22A+5 | 12+6A+8+22A+5 |
| 500X710 | 654X864XR126 | 650X860 | 15+6A+8+22A+5 | 12+6A+8+22A+5 |
| 560X800 | 714X954XR126 | 710X950 | 15+6A+8+22A+5 | 12+6A+8+22A+5 |
| 900X630 | 1054X784XR126 | 1050X780 | 19+6A+8+22A+5 | 12+6A+8+22A+5 |
| 1000X710 | 1154X864XR126 | 1150X860 | 19+6A+8+22A+5 | 12+6A+8+22A+5 |
| 1100X800 | 1254X954XR126 | 1250X950 | —— | 15+6A+8+22A+5 |
| 1200X800 | 1354X954XR126 | 1350X950 | 根据计算或客户要求 decided by calculation or customer's requirement | |
| 1500X800 | 1654X954XR126 | 1650X950 | | |
| 1800X900 | 1954X1054XR126 | 1950X1050 | | |
| 1800X1200 | 1954X1354XR126 | 1950X1350 | | |

标记示例:

透光尺寸为900X630mm的A60级高隔声防火窗

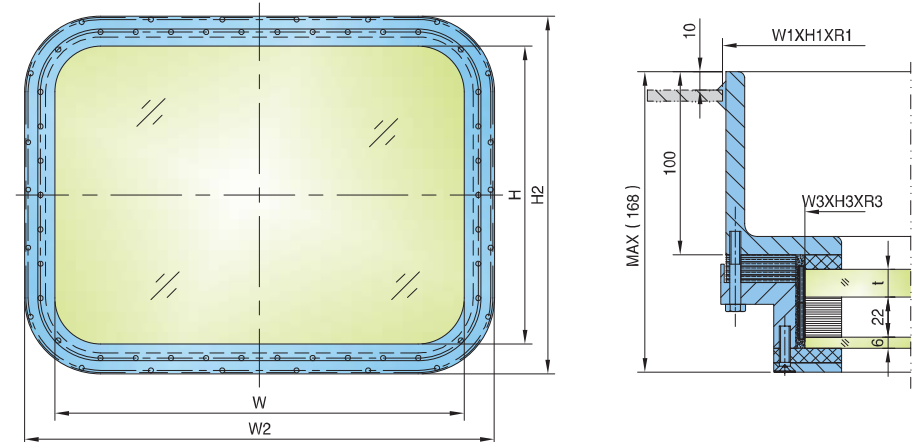
A60级高隔声防火窗 900X630 261WHL069-00



舰船装备 出类拔萃 海联产品 情联四海

A60级防火矩形窗 A60 CLASS FIREPROOF RECTANGULAR WINDOW

261WHL059X-00



mm

| 序号 NO | 公称尺寸 NOMINAL SIZE WXH | 围壁开孔尺寸 SIZE OF B. H. OPENING W1XH1XR1 | 外形尺寸 SIZE OF OUTLINE W2XH2 | 玻璃厚度 GLASS THICK | | 玻璃尺寸 SIZE OF GLASS W3XH3XR3 |
|----------|-----------------------------|---|----------------------------------|---------------------|----------|-----------------------------------|
| | | | | 重型HEAVY | 中型MEDIUM | |
| 1 | 355X500 | 485X630XR115 | 487X632 | 15 | 15 | 395X540XR70 |
| 2 | 450X630 | 580X760XR165 | 582X762 | 15 | 15 | 490X670XR120 |
| 3 | 500X710 | 630X840XR165 | 632X842 | 15 | 15 | 540X750XR120 |
| 4 | 900X630 | 1030X760XR165 | 1032X762 | 19 | 15 | 940X670XR120 |
| 5 | 1100X710 | 1230X840XR165 | 1232X842 | 19 | 15 | 1140X750XR120 |
| 6 | 1200X800 | 1330X930XR165 | 1332X932 | 19 | 15 | 1240X840XR120 |

标记示例:

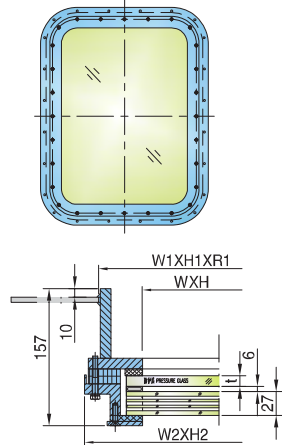
透光尺寸为900X630mm的A60级防火矩形窗

A60级防火矩形窗 900X630 261WHL059X-00



A60级防火矩形窗
A60 CLASS FIREPROOF RECTANGULAR WINDOW

261WHL059(I)-00



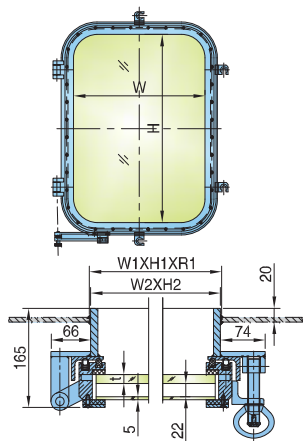
| 公称尺寸 NOMINAL SIZE WXH | 围壁开孔尺寸 SIZE OF B.H. OPENING W1XH1XR1 | 外形尺寸 SIZE OF OUTLINE W2XH2 | 玻璃厚度 PRESSURE GLASS THICK | |
|-----------------------------|--|----------------------------------|------------------------------|----------|
| | | | 重型HEAVY | 中型MEDIUM |
| 355X500 | 455X600XR76 | 487X632 | 12 | 12 |
| 450X630 | 550X730XR126 | 582X762 | 12 | 12 |
| 500X710 | 600X810XR126 | 632X842 | 15 | 12 |
| 900X630 | 1000X730XR126 | 1032X762 | 19 | 12 |
| 1100X710 | 1200X810XR126 | 1232X842 | 19 | 12 |
| 1200X800 | 1300X900XR126 | 1332X932 | — | 15 |

玻璃是从圣戈班进口的防火玻璃。
THE FIREPROOF GLASS IS IMPORTED FROM SAINT-GOBAIN.

标记示例：
透光尺寸为900X630mm的A60级防火矩形窗
A60防火矩形窗900X630 261WHL059(I)-00

A60级防火开式矩形窗
A60 CLASS FIREPROOF OPEN TYPE RECTANGULAR WINDOW

261WHL067-00



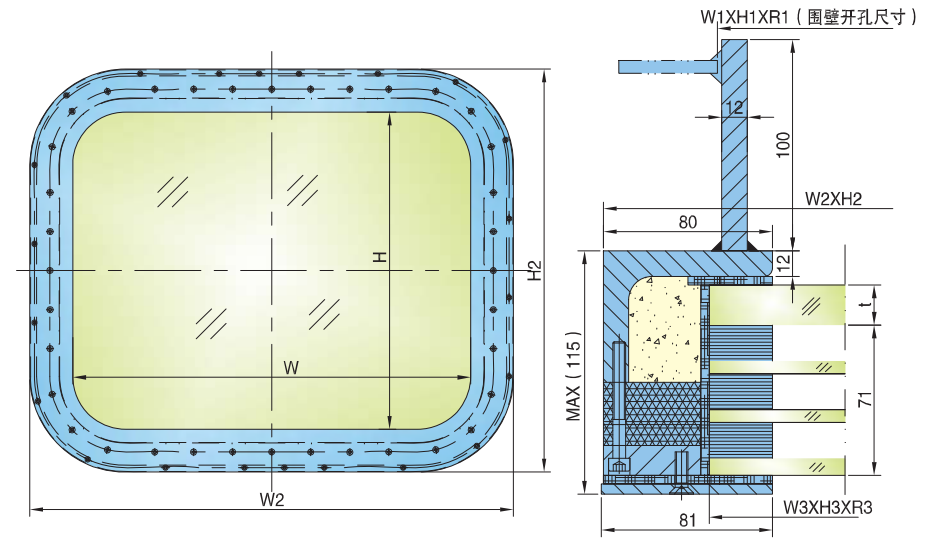
| 公称尺寸 NOMINAL SIZE WXH | 围壁开孔尺寸 SIZE OF B.H. OPENING W1XH1XR1 | 窗框外形尺寸 SIZE OF OUTLINE W2XH2 | 玻璃厚度 GLASS THICK | |
|-----------------------------|--|------------------------------------|---------------------|----------|
| | | | 重型HEAVY | 中型MEDIUM |
| 300X425 | 352X477XR76 | 348X473 | 15 | 15 |
| 355X500 | 407X552XR76 | 403X548 | 15 | 15 |
| 400X560 | 452X612XR76 | 448X608 | 15 | 15 |
| 450X630 | 502X682XR126 | 498X678 | 15 | 15 |
| 500X710 | 552X762XR126 | 548X758 | 15 | 15 |
| 560X800 | 612X852XR126 | 608X848 | 15 | 15 |

标记示例：
透光尺寸为560X800mm的A60级防火开式矩形窗(左内)
A60级防火开式矩形窗 560X800-LI 261WHL067-00



H120级防火矩形窗
H120 CLASS FIRE PROTECTION RECTANGULAR WINDOW

261WHL509-00



| 序号 NO | 公称尺寸 NOMINAL SIZE WXH | 围壁开孔尺寸 SIZE OF B.H. OPENING W1XH1XR1 | 外形尺寸 SIZE OF OUTLINE W2XH2 | 玻璃厚度 GLASS THICK | | 玻璃尺寸 SIZE OF GLASS W3XH3XR3 |
|----------|-----------------------------|--|----------------------------------|---------------------|----------|-----------------------------------|
| | | | | 重型HEAVY | 中型MEDIUM | |
| 1 | 355X500 | 407X552XR76 | 515X660 | 10 | 8 | 415X560XR80 |
| 2 | 400X560 | 452X612XR76 | 560X720 | 12 | 8 | 460X620XR80 |
| 3 | 450X630 | 502X682XR126 | 610X790 | 12 | 8 | 510X690XR130 |
| 4 | 500X710 | 552X762XR126 | 660X870 | 15 | 10 | 560X770XR130 |
| 5 | 560X800 | 612X852XR126 | 720X960 | 15 | 10 | 620X860XR130 |
| 6 | 900X630 | 952X852XR126 | 1060X790 | 19 | 12 | 960X690XR130 |
| 7 | 1000X710 | 1052X762XR126 | 1160X870 | 19 | 12 | 1060X770XR130 |
| 8 | 1200X800 | 1252X852XR126 | 1360X960 | 19 | 15 | 1260X860XR130 |

标记示例：
透光尺寸为900X630mm的H120级防火矩形窗
H120防火矩形窗 900X630 261WHL509-00

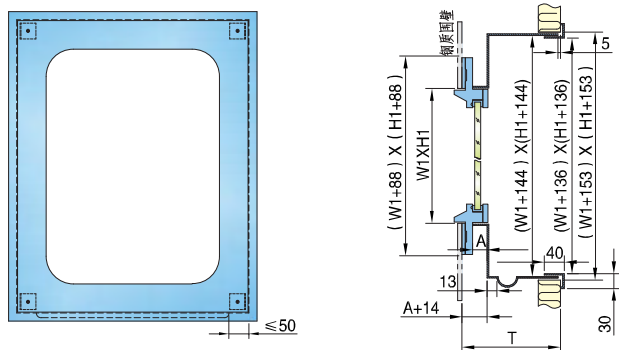


铝质、钢质、不锈钢窗斗 ALUMINIUM,STEEL ,STAINLESS STEEL WINDOW BOX

窗斗形式多样，不限于下面两图
MANY TYPES OF WINDOW BOXES.NOT LIMITED AS BELOW

矩形窗斗 WINDOW BOX FOR RECTANGULAR WINDOW

261WHL011-01



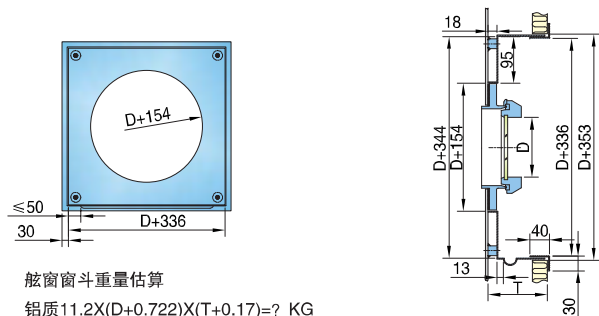
矩形窗斗重量估算:

铝质 $11.2X(W1+H1+0.3378)X(T+0.127)=?$ KG

钢质，不锈钢 $23.55X(W1+H1+0.338)X(T+0.127)=?$ KG

舷窗窗斗 WINDOW BOX FOR SIDE SCUTTLES

261WHL011-09



舷窗窗斗重量估算

铝质 $11.2X(D+0.722)X(T+0.17)=?$ KG

钢质，不锈钢 $23.55X(D+0.722)X(T+0.17)=?$ KG

注意: W1,H1 D皆以m(米)为单位

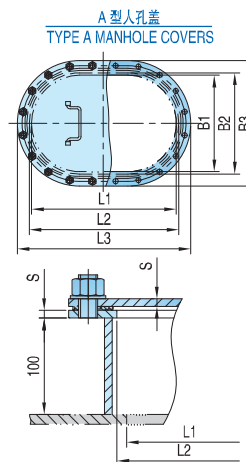


船用人孔盖 MANHOLE COVERS FOR SHIP

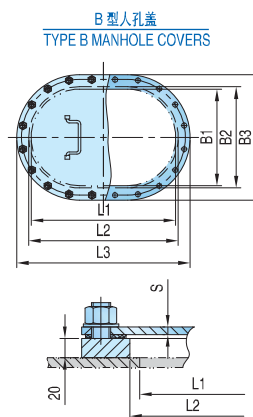
CB/T 19-2001

适用于船舶的水密和油密人孔盖，不适用锅炉和压力容器，符合ISO5894

USED FOR THE WATERTIGHT AND OILTIGHT MANHOLE COVERS,COMPLY WITH IOS 5894



| 类型 TYPE | 公称尺寸 NOMINAL SIZE | L1 | L2 | L3 | B1 | B2 | B3 | S | 紧固件 FASTENER | | 重量 WEIGHT KG | |
|------------|----------------------|-----|-----|-----|-----|-----|-----|---|-----------------|------------|--------------------|------|
| | | | | | | | | | 直径 DIA. | 个数 OUT. | | |
| A | 450X350 | 450 | 470 | 570 | 350 | 370 | 470 | | M20 | 16 | 4 | 23.2 |
| | | | | | | | | | | | 6 | 30.8 |
| | | | | | | | | | | | 8 | 36.9 |
| | | | | | | | | | | | 10 | 45.8 |
| | | | | | | | | | | | 6 | 48.8 |
| | | | | | | | | | | | 8 | 59.2 |
| | 600X400 | 600 | 620 | 720 | 400 | 420 | 520 | | M20 | 20 | 10 | 69.3 |
| | | | | | | | | | | | 12 | 79.6 |
| | | | | | | | | | | | 8 | 52.4 |
| | | | | | | | | | | | 10 | 65.8 |
| | | | | | | | | | | | 12 | 78.2 |
| | | | | | | | | | | | 14 | 90.2 |



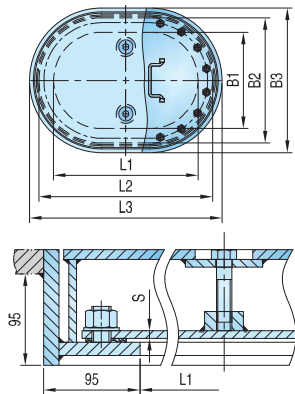
| 类型 TYPE | 公称尺寸 NOMINAL SIZE | L1 | L2 | L3 | B1 | B2 | B3 | S | 紧固件 FASTENER | | 重量 WEIGHT KG | |
|-------------------------------|----------------------|-----|-----|-----|-----|-----|-----|-----|-----------------|------------|--------------------|------|
| | | | | | | | | | 直径 DIA. | 个数 OUT. | | |
| B | 450X350 | 450 | 470 | 570 | 350 | 370 | 470 | | M20 | 16 | 4 | 28.9 |
| | | | | | | | | | | | 6 | 33.8 |
| | | | | | | | | | | | 8 | 37.2 |
| | | | | | | | | | | | 10 | 41.2 |
| | | | | | | | | | | | 8 | 49.5 |
| | | | | | | | | | | | 10 | 55.6 |
| | 600X400 | 600 | 620 | 720 | 400 | 420 | 520 | | M20 | 20 | 12 | 61.2 |
| | | | | | | | | | | | 14 | 67.6 |
| | | | | | | | | | | | 12 | 67.2 |
| | | | | | | | | | | | 14 | 75.2 |
| | | | | | | | | | | | 16 | 82.8 |
| | | | | | | | | | | | 18 | 89.9 |
| | 800X600 | 800 | 820 | 920 | 600 | 620 | 720 | | M20 | 26 | 12 | 56.8 |
| | | | | | | | | | | | 14 | 63.2 |
| | | | | | | | | | | | 16 | 69.2 |
| | | | | | | | | | | | 18 | 89.9 |
| | | | | | | | | | | | 12 | 56.8 |
| | | | | | | | | | | | 14 | 63.2 |
| 800X400 (椭圆形) (ELLIPSE) | 800 | 830 | 930 | 400 | 430 | 530 | | M20 | 24 | 14 | 69.2 | |
| | | | | | | | | | | 16 | 76.2 | |
| | | | | | | | | | | 18 | 89.9 | |
| | | | | | | | | | | 12 | 56.8 | |
| | | | | | | | | | | 14 | 63.2 | |
| | | | | | | | | | | 16 | 69.2 | |



船用人孔盖
MANHOLE COVERS FOR SHIP

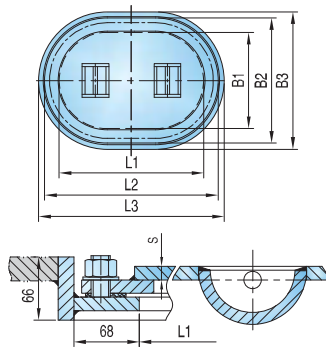
CB/T 19-2001

C型人孔盖
TYPE C MANHOLE COVERS



| 类型 TYPE | 公称尺寸 NOMINAL SIZE | L1 | L2 | L3 | B1 | B2 | B3 | S | 紧固件 FASTENER | | 重量 WEIGHT KG |
|-------------------------------|----------------------|-----|------|------|-----|-----|-----|----|-----------------|------------|--------------------|
| | | | | | | | | | 直径 DIA. | 个数 QUT. | |
| C | 450X350 | 450 | 570 | 650 | 350 | 470 | 550 | 10 | 16 | 116.6 | |
| | | | | | | | | | 12 | 121.6 | |
| | | | | | | | | | 14 | 128.6 | |
| | 600X400 | 600 | 720 | 800 | 400 | 520 | 600 | 10 | 20 | 136.1 | |
| | | | | | | | | | 12 | 142.2 | |
| | | | | | | | | | 14 | 149.5 | |
| | | | | | | | | | 12 | 171.5 | |
| | 800X600 | 800 | 920 | 1000 | 600 | 720 | 800 | 14 | 26 | 182.6 | |
| | | | | | | | | | 18 | 206.8 | |
| | | | | | | | | | 12 | 102.8 | |
| 800X400 (椭圆形) (ELLIPSE) | 800 | 930 | 1010 | 400 | 530 | 610 | 14 | 24 | 118.2 | | |
| | | | | | | | | 18 | 146.2 | | |

D型人孔盖
TYPE D MANHOLE COVERS



| 类型 TYPE | 公称尺寸 NOMINAL SIZE | L1 | L2 | L3 | B1 | B2 | B3 | S | 紧固件 FASTENER | | 重量 WEIGHT KG |
|-------------------------------|----------------------|-----|-----|-----|-----|-----|-----|----|-----------------|------------|--------------------|
| | | | | | | | | | 直径 DIA. | 个数 QUT. | |
| D | 450X350 | 450 | 570 | 620 | 350 | 470 | 520 | 14 | 16 | 73.1 | |
| | | | | | | | | | 16 | 81.6 | |
| | | | | | | | | | 18 | 90.2 | |
| | 600X400 | 600 | 720 | 770 | 400 | 520 | 570 | 14 | 20 | 83.6 | |
| | | | | | | | | | 16 | 88.8 | |
| | | | | | | | | | 18 | 94.8 | |
| | | | | | | | | | 14 | 108.4 | |
| | 800X600 | 800 | 920 | 970 | 600 | 720 | 770 | 18 | 26 | 120.6 | |
| | | | | | | | | | 20 | 149.8 | |
| | | | | | | | | | 14 | 89.4 | |
| 800X400 (椭圆形) (ELLIPSE) | 800 | 930 | 980 | 400 | 530 | 580 | 16 | 24 | 102.5 | | |
| | | | | | | | | 16 | 102.5 | | |
| | | | | | | | | 20 | 127.8 | | |

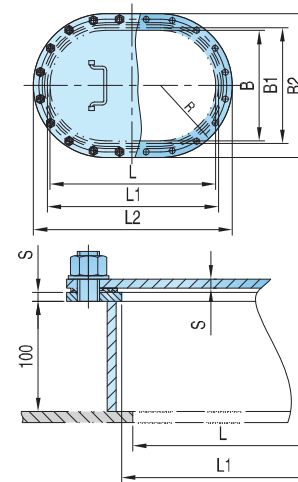
标记示例:

通孔尺寸为600X400mm, 盖板厚度S为12mm的A型人孔盖
人孔盖 A 600X400-12 CB/T 19-2001



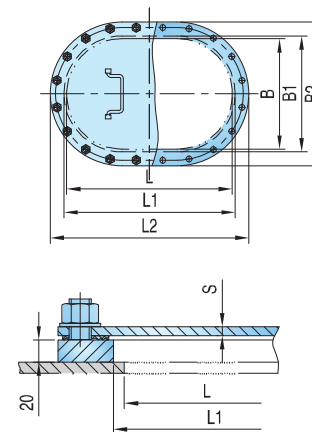
铝质人孔盖
ALUMINIUM MANHOLE COVER

263WHL026-00



A型 TYPE A

| 类型 TYPE | 公称尺寸 NOMINAL SIZE | L | L1 | L2 | B | B1 | B2 | S | 螺栓 BOLT | | 重量 WEIGHT KG |
|------------|----------------------|-----|-----|-----|-----|-----|-----|---|------------|------------|--------------------|
| | | | | | | | | | 直径 DIA. | 个数 QUT. | |
| A | 450X350 | 450 | 470 | 570 | 350 | 370 | 470 | 4 | 20 | 7.3 | |
| | | | | | | | | | 6 | 9.7 | |
| | | | | | | | | | 8 | 12.2 | |
| | | | | | | | | | 10 | 14.6 | |
| | | | | | | | | | 6 | 11.3 | |
| | 500X400 | 500 | 520 | 620 | 400 | 420 | 520 | 8 | 24 | 13.8 | |
| | | | | | | | | | 10 | 16.6 | |
| | | | | | | | | | 12 | 19.4 | |



B型 TYPE B

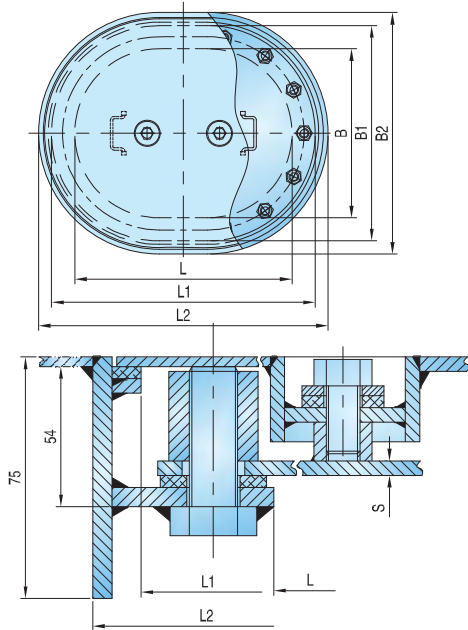
| 类型 TYPE | 公称尺寸 NOMINAL SIZE | L | L1 | L2 | B | B1 | B2 | S | 螺栓 BOLT | | 重量 WEIGHT KG |
|------------|----------------------|-----|-----|-----|-----|-----|-----|---|------------|------------|--------------------|
| | | | | | | | | | 直径 DIA. | 个数 QUT. | |
| B | 450X350 | 450 | 470 | 570 | 350 | 370 | 470 | 4 | 20 | 9.5 | |
| | | | | | | | | | 6 | 10.8 | |
| | | | | | | | | | 8 | 12.0 | |
| | | | | | | | | | 10 | 13.2 | |
| | | | | | | | | | 6 | 12.3 | |
| | 500X400 | 500 | 520 | 620 | 400 | 420 | 520 | 8 | 24 | 13.7 | |
| | | | | | | | | | 10 | 15.2 | |
| | | | | | | | | | 12 | 16.7 | |



铝质人孔盖
ALUMINIUM MANHOLE COVER

263WHL026-00

C型 TYPE C



| 类型 TYPE | 公称尺寸 NOMINAL SIZE | mm | | | | | | 螺栓 BOLT | | 重量 WEIGHT KG |
|------------|----------------------|-----|-----|-----|-----|-----|----|------------|-----------|--------------------|
| | | L | L1 | L2 | B | B1 | B2 | 直径 DIA | 个数 QTY | |
| C | 450X350 | 560 | 600 | 350 | 460 | 500 | 6 | M24 | 20 | 15.8 |
| | | 556 | 600 | 350 | 456 | 500 | 8 | | | 17.8 |
| | | 552 | 600 | 350 | 452 | 500 | 10 | | | 21.6 |
| | 500X400 | 606 | 650 | 400 | 506 | 550 | 8 | | | 20.6 |
| | | 602 | 650 | 400 | 502 | 550 | 10 | | | 25.1 |
| | | 598 | 650 | 400 | 498 | 550 | 12 | | | 29.6 |

标记示例:

通孔尺寸为500X400mm, 盖板厚度S为12mm的C型铝质人孔盖
铝质人孔盖 C500X400-12 263WHL026-00



钢质小型舱口盖
STEEL SMALL HATCH COVER

CB/T 3728-1995

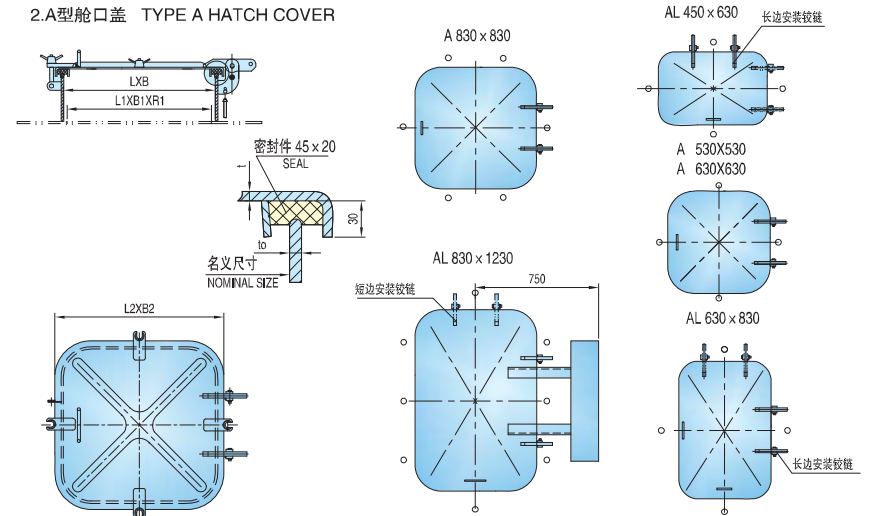
适用于各类船舶用小型舱口盖, 符合ISO5778-1994.

THE SMALL HATCH COVER USED FOR VARIOUS SHIPS, COMPLY WITH IOS 5778-1994

1. 舱口盖型式 TYPE OF HATCH COVER

| 类型 TYPE | 名称 DESCRIPTION | 结构特征 STRUCTURE CHARACTERISTIC | 名义尺寸 NOMINAL SIZE LXB | 铰链位置 HINGED LOCATION |
|------------|-------------------|-------------------------------------|--|-------------------------|
| A | 单面启闭风雨密封舱口盖 | 翼形螺母夹扣 | 450X630 630X830 1030X1030 | A (四边相等) |
| | | | 530X530 830X830 1330X1330 | AL (长边安装) |
| | | | 630X630 830X1230 | AS (短边安装) |
| B | 双面启闭风雨密封舱口盖 | 楔形把手夹扣 | 450X630 630X830 | B (四边相等) |
| | | | 530X530 830X830 | BL (长边安装) |
| | | | 630X630 830X1230 | BS (短边安装) |
| C | 快速启闭风雨密封舱口盖 | 中心旋转把手夹扣 | 530X530 ϕ 530 630X630 ϕ 630 | — |
| D | 埋入式风雨密封舱口盖 | 可倒楔形把手夹扣 | 530X530 630X830 | D (四边相等) |
| | | | 630X630 830X830 | DL (长边安装) |
| | | | 630X630 830X830 | BS (短边安装) |
| E | 单面启闭非风雨密封舱口盖 | 翼形螺母夹扣 | 450X630 630X830 | E (四边相等) |
| | | | 530X530 830X830 | EL (长边安装) |
| | | | 630X630 830X830 | ES (短边安装) |
| F | 双面启闭非风雨密封舱口盖 | 楔形把手夹扣 | 450X630 630X830 | F (四边相等) |
| | | | 530X530 830X830 | FL (长边安装) |
| | | | 630X630 830X830 | FS (短边安装) |

2. A型舱口盖 TYPE A HATCH COVER

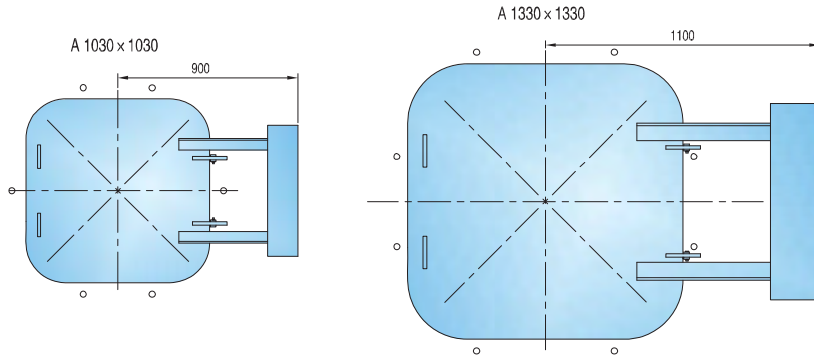




舰船装备 出类拔萃 海联产品 情联四海

钢质小型舱口盖
STEEL SMALL HATCH COVER

CB/T 3728-1995



| 类型 TYPE | 名义尺寸 NOMINAL SIZE LXB | 通孔尺寸 ACCESS WAY SIZE L1XB1XR1 | 盖板尺寸 SIZE OF COVER L2XB2 | 盖板厚度 THICK. OF COVER 厚度 to | 围板 (注2 NOTE2) COAMING PLATE | | 翼形螺母夹扣 BUTTERFLY CLIP | | 重量(注1 NOTE1) WEIGHT KG |
|------------|-----------------------------|-------------------------------------|--------------------------------|-------------------------------------|--------------------------------|---------|--------------------------|------------|------------------------------|
| | | | | | 厚度 to | 高度 H | 直径 DIA. | 数量 QUT. | |
| A | 450X630 | 420X600X100 | 508X688 | 4 | 4,6 | 100 | M16 | 4 | 24.4 |
| | | | 512X692 | 6 | 6,8 | | | | 31.1 |
| | | | 516X696 | 8 | 8,11 | | | | 37.7 |
| | 530X530 | 500X500X100 | 588X588 | 4 | 4,6 | | | | 24.2 |
| | | | 592X592 | 6 | 6,8 | | | | 30.8 |
| | | | 596X596 | 8 | 8,11 | | | | 37.4 |
| | 630X630 | 600X600X100 | 688X688 | 4 | 4,6 | | | | 31.0 |
| | | | 692X692 | 6 | 6,8 | | | | 39.8 |
| | | | 696X696 | 8 (注3 NOTE3) | 8,11 | | | | 48.5 |
| | AL 630X830 | 600X800X100 | 688X888 | 4 | 4,6 | | | | 37.4 |
| | | | 692X892 | 6 | 6,8 | | | | 48.5 |
| | | | 696X896 | 8 (注3 NOTE3) | 8,11 | | | | 59.7 |
| AS 830X830 | 800X800X100 | 888X888 | 4 | 4,6 | 47.1 | | | | |
| | | 892X892 | 6 | 6,8 | 61.2 | | | | |
| | | 896X896 | 8 (注3 NOTE3) | 8,11 | 75.3 | | | | |
| 830X1230 | 800X1200X100 | 888X1288 | 4 | 4,6 | 65.2 | | | | |
| | | 892X1292 | 6 | 6,8 | 85.3 | | | | |
| | | 896X1296 | 8 | 8,11 | 175.2 (注4 NOTE4) | | | | |
| 1030X1030 | 1000X1000X100 | 1092X1092 | 6 | 6,8 | 146.4 (注4 NOTE4) | | | | |
| | | 1096X1096 | 8 (注3 NOTE3) | 8,11 | 190.9 (注4 NOTE4) | | | | |
| | | 1396X1396 | 8 (注3 NOTE3) | 8,11 | 331.3 (注4 NOTE4) | | | | |

注: (1)表中重量不包括围板重量; (2)围板的高度和厚度尺寸由顾客定;

(3)此尺寸规格与ISO5778一致; (4)此重量包括平衡块;

NOTES:(1)WEIGHT OF COAMING NOT INCLUDED (2)THE THICKNESS AND HEIGHT DECIDED BY CUSTOMER

(3)THIS SPECIFICATION COMPLY WITH ISO 5778 (4)THE COUNT WEIGHT IS INCLUDED

标记示例:

名义尺寸为630X630mm, 盖板厚度为6mm, 围板厚度6mm, 围板高度200mm的A型舱口盖
舱口盖 A630X630X6-6X200 CB/T 3728-1995

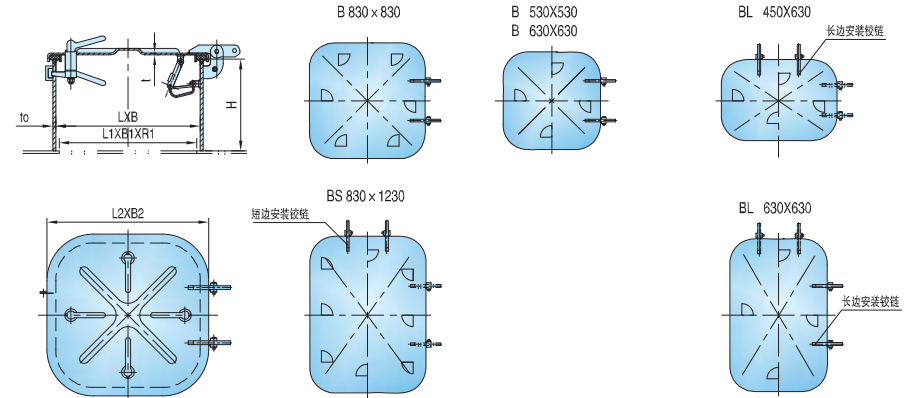


舰船装备 出类拔萃 海联产品 情联四海

钢质小型舱口盖
STEEL SMALL HATCH COVER

CB/T 3728-1995

3.B型舱口盖型式 TYPE B HATCH COVER



| 类型 TYPE | 名义尺寸 NOMINAL SIZE LXB | 通孔尺寸 ACCESS WAY SIZE L1XB1XR1 | 盖板尺寸 SIZE OF COVER L2XB2 | 盖板厚度 THICK OF COVER t | 围板 (注2 NOTE2) COAMING PLATE | | 楔形把手夹扣 BUTTERFLY CLIP | 重量 (注1 NOTE1) WEIGHT KG |
|------------|-----------------------------|-------------------------------------|--------------------------------|-----------------------------|--------------------------------|---------|--------------------------|-------------------------------|
| | | | | | 厚度 to | 高度 H | | |
| B | 450X630 | 420X600X100 | 508X688 | 4 | 4,6 | 100 | 4 | 28.7 |
| | | | 512X692 | 6 | 6,8 | | | 35.4 |
| | | | 516X696 | 8 | 8,11 | | | 42.0 |
| | 530X530 | 500X500X100 | 588X588 | 4 | 4,6 | | | 28.5 |
| | | | 592X592 | 6 | 6,8 | | | 35.1 |
| | | | 596X596 | 8 | 8,11 | | | 41.7 |
| BL 630X630 | 600X600X100 | 688X688 | 4 | 4,6 | 33.5 | | | |
| | | 692X692 | 6 | 6,8 | 42.4 | | | |
| | | 696X696 | 8 | 8,11 | 51.2 | | | |
| BS 630X830 | 600X800X100 | 688X888 | 4 | 4,6 | 39.7 | | | |
| | | 692X892 | 6 | 6,8 | 51.2 | | | |
| | | 696X896 | 8 | 8,11 | 62.3 | | | |
| 830X830 | 800X800X100 | 888X888 | 4 | 4,6 | 51.2 | | | |
| | | 892X892 | 6 | 6,8 | 65.3 | | | |
| | | 896X896 | 8 | 8,11 | 79.4 | | | |
| 830X1230 | 800X1200X100 | 888X1288 | 4 | 4,6 | 71.4 | | | |
| | | 892X1292 | 6 | 6,8 | 91.5 | | | |

注: (1)表中重量不包括围板重量; (2)围板的高度和厚度尺寸由顾客定;

NOTES: (1)WEIGHT OF COAMING NOT INCLUDED (2)THE THICKNESS AND HEIGHT DECIDED BY CUSTOMER

标记示例:

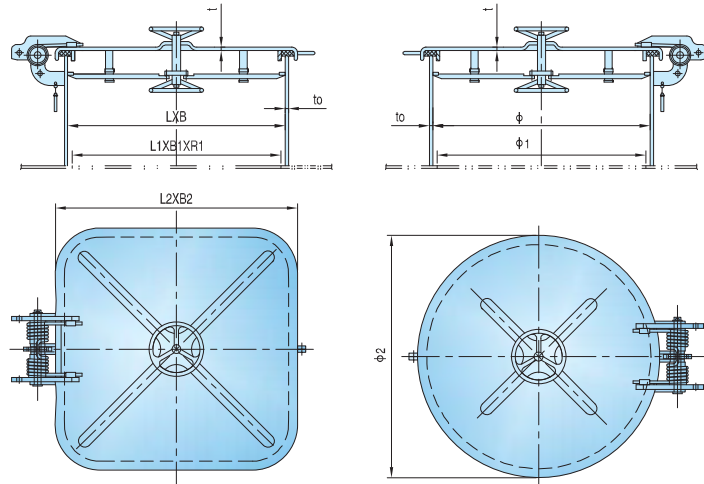
名义尺寸为630X630mm, 盖板厚度为6mm, 围板厚度6mm, 围板高度200mm的B型舱口盖
舱口盖 B630X630X6-6X200 CB/T3728-1995



钢质小型舱口盖
STEEL SMALL HATCH COVER

CB/T 3728-1995

4. C型舱口盖 TYPE C HATCH COVER



| 类型 TYPE | 名义尺寸 NOMINAL SIZE LXB, φ | 通孔尺寸 ACCESS WAY SIZE L1XB1XR, #1 | 盖板尺寸 SIZE OF COVER L2XB2, #2 | 盖板厚度 THICK. OF COVER t | 围板 (注2 NOTE2) COAMING PLATE | | 中心旋转把手 夹扣和数量 CENTRAL MECHANISM QUAN. OF CLIPS | 重量 (注1 NOTE1) WEIGHT KG |
|------------|--------------------------------|--|------------------------------------|------------------------------|--------------------------------|---------------------------------|--|-------------------------------|
| | | | | | 厚度 to | 高度 H | | |
| C | 530X530 | 500X500X100 | 588X588 | 4 | 4.6 | 150 200 250 450 600 | 4 | 44.8 |
| | | | 592X592 | 6 | 6.8 | | | 51.4 |
| | | | 596X596 | 8 | 8.11 | | | 58.0 |
| | | | 688X688 | 4 | 4.6 | | | 50.0 |
| | 630X630 | 600X600X100 | 692X692 | 6 | 6.8 | | 58.7 | |
| | | | 696X696 | 8 | 8.11 | | 67.5 | |
| | | | φ 588 | 4 | 4.6 | | 42.2 | |
| | | | φ 592 | 6 | 6.8 | | 47.5 | |
| | φ 530 | φ 500 | φ 596 | 8 | 8.11 | | 52.8 | |
| | | | φ 688 | 4 | 4.6 | | 46.1 | |
| | | | φ 692 | 6 | 6.8 | | 53.2 | |
| | | | φ 696 | 8 | 8.11 | | 60.2 | |

注: (1)表中重量不包括围板重量; (2)围板的高度和厚度尺寸由顾客定;

NOTES: (1)WEIGHT OF COAMING NOT INCLUDED

(2)THE THICKNESS AND HEIGHT DECIDED BY CUSTOMER

标记示例:

名义尺寸为 φ 630, 盖板厚度为6mm, 围板厚度8mm, 围板高度200mm的C型舱口盖

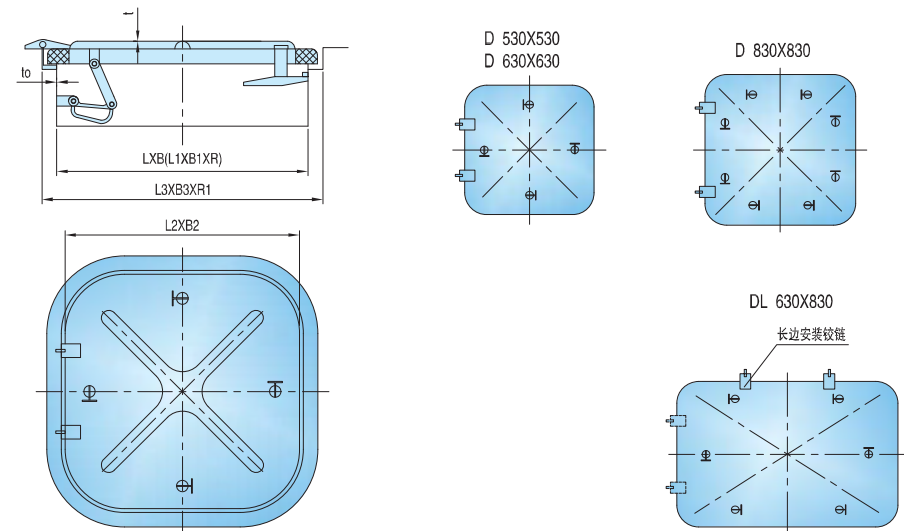
舱口盖 C φ 630X6-8X200 CB/T3728-1995



钢质小型舱口盖
STEEL SMALL HATCH COVER

CB/T 3728-1995

5. D型舱口盖 TYPE D HATCH COVER



| 类型 TYPE | 名义尺寸 NOMINAL SIZE LXB | 通孔尺寸 ACCESS WAY SIZE L1XB1XR | 盖板尺寸 SIZE OF COVER L2XB2 | 甲板开孔尺寸 SIZE OF B.H. OPENING L3XB3XR1 | 盖板厚度 THICK. OF COVER t | 围板厚度 THICK. OF COAMING to | 把手夹扣 DOGS 数量 QTY. | 重量 WEIGHT kg |
|---------------|-----------------------------|------------------------------------|--------------------------------|--|------------------------------|---------------------------------|----------------------------|--------------------|
| D DL DS | 530X530 | 530X530X115 | 588X588 | 622X622X161 | 4 | 6 | 4 | 46.7 |
| | | | 592X592 | 622X622X161 | 6 | 6 | | 53.3 |
| | | | 596X596 | 626X626X163 | 8 | 8 | | 63.6 |
| | | | 688X688 | 722X722X161 | 4 | 6 | | 57.4 |
| | 630X630 | 630X630X115 | 692X692 | 722X722X161 | 6 | 6 | | 66.1 |
| | | | 696X696 | 726X726X163 | 8 | 8 | | 80.5 |
| | | | 688X888 | 722X922X161 | 4 | 6 | | 73.9 |
| | | | 692X892 | 726X926X163 | 6 | 8 | | 91.5 |
| | 630X830 | 630X830X115 | 696X896 | 726X926X163 | 8 | 8 | | 106.3 |
| | | | 892X892 | 926X926X163 | 6 | 8 | | 114.9 |
| | | | 896X896 | 926X926X163 | 8 | 8 | | 129.0 |

标记示例:

名义尺寸为630X830mm, 盖板厚度为8mm, 围板厚度8mm的D型舱口盖, 长边安装铰链。

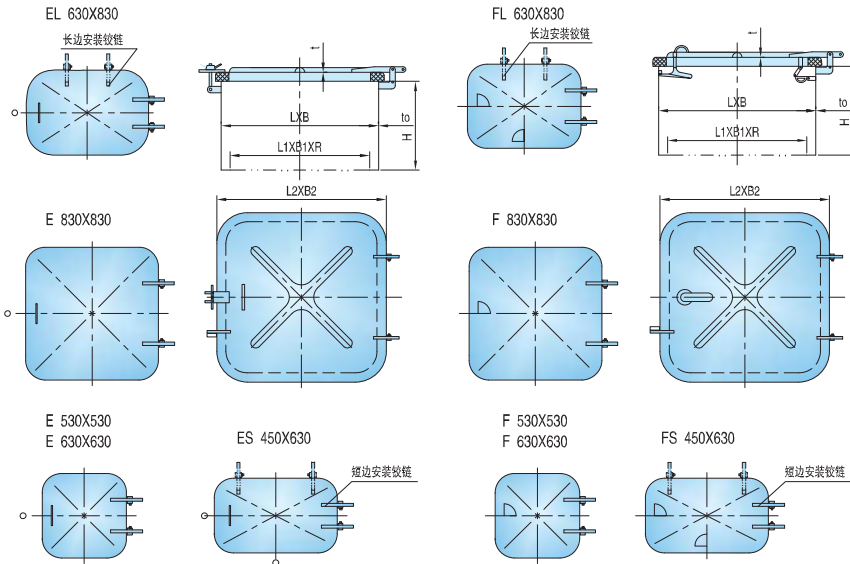
舱口盖 DL630X830X8-8 CB/T3728-1995



钢质小型舱口盖 STEEL SMALL HATCH COVER

CB/T 3728-1995

6.E、F型舱口盖 TYPE E、F HATCH COVER



| 类型 TYPE | 名义尺寸 NOMINAL SIZE LXB | 通孔尺寸 ACCESS WAY SIZE L1XB1XR | 盖板尺寸 SIZE OF COVER L2XB2 | 盖板厚度 THICK. OF COVER t | 围板 (注2 NOTE2) COAMING PLATE | | 翼型螺母 夹扣直径 BUTTERFLY CLIP DIA. | 重量 (注1 NOTE1) WEIGHT kg | |
|--------------------|-----------------------------|------------------------------------|--------------------------------|------------------------------|--------------------------------|---------|--|-------------------------------|------|
| | | | | | 厚度 to | 高度 H | | E | F |
| E EL ES F | 450X630 | 420X600X100 | 508X688 | 4 | 4.6 | 100 | M16 | 20.9 | 22.2 |
| | | | 512X692 | 6 | 6.8 | | | 27.6 | 28.8 |
| | | | 588X588 | 4 | 4.6 | | | 20.7 | 22.0 |
| F FL FS | 630X630 | 600X600X100 | 592X592 | 6 | 6.8 | 150 | M20 | 27.3 | 28.5 |
| | | | 688X688 | 4 | 4.6 | | | 26.3 | 27.1 |
| | | | 692X692 | 6 | 6.8 | | | 35.1 | 35.9 |
| | 630X830 | 600X800X100 | 688X888 | 4 | 4.6 | 200 | M20 | 32.5 | 33.1 |
| | | | 692X892 | 6 | 6.8 | | | 43.6 | 44.2 |
| | | | 888X888 | 4 | 4.6 | | | 39.2 | 40.5 |
| | 830X830 | 800X800X100 | 892X892 | 6 | 6.8 | | | 53.3 | 54.5 |

注：(1)表中重量不包括围板重量；(2)围板的高度和厚度尺寸由顾客定；

NOTES: (1)WEIGHT OF COAMING NOT INCLUDED (2)THE THICKNESS AND HEIGHT DECIDED BY CUSTOMER

标记示例：

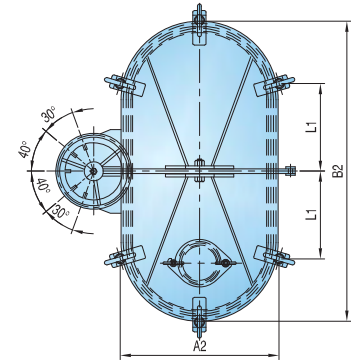
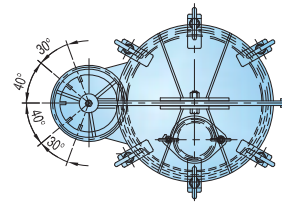
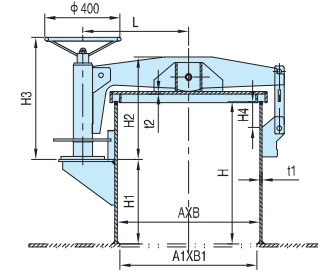
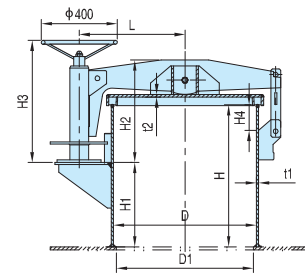
名义尺寸为530X630mm，盖板厚度为6mm，围板厚度为8mm，围板高度200mm的F型舱口盖

舱口盖 F530X630X6-8X200 CB/T 3728-1995



转动式油舱盖 ROTATING OILTIGHT HATCH COVER

CB/T 282-94



A型-圆型
TYPE A-ROUND

B型-长圆型
TYPE B-ELLIPTIC

| 类型 TYPE | 通孔尺寸 ACCESS WAY SIZE D | 甲板开孔 SIZE OF R.H. OPENING D1 | H | H1 | H2 | H3 | H4 | L | t1 | t2 | 夹扣 数量 OUT. | 重量 WEIGHT KG |
|------------|---------------------------------|---------------------------------------|-----|-----|-----|-----|----|-----|----|----|------------------|--------------------|
| A | 600 | 570 | | | | | | 480 | | | 4 | 295 |
| | 700 | 670 | | | | | | 530 | 10 | 12 | | 325 |
| | 800 | 770 | 600 | 290 | 538 | 700 | | 580 | | | 6 | 417 |
| | 1000 | 970 | | | | | | 682 | 12 | 14 | | 539 |
| | 1200 | 1170 | | | | | | 782 | | | | 630 |

| 类型 TYPE | 通孔尺寸 ACCESS WAY SIZE AXB | 甲板开孔 SIZE OF R.H. OPENING A1XB1 | A2 | B2 | H | H1 | H2 | H3 | H4 | L | L1 | t1 | t2 | 夹扣 数量 OUT. | 重量 WEIGHT KG |
|------------|-----------------------------------|--|-----|------|-----|-----|-----|-----|----|-----|-----|----|----|------------------|--------------------|
| B | 750X1200 | 720X1170 | 835 | 1285 | | | | | | 556 | 430 | | | | 543 |
| | 750X1500 | 720X1470 | 835 | 1585 | 600 | 290 | 538 | 700 | | 556 | 460 | 12 | 14 | 6 | 593 |
| | 850X1500 | 820X1470 | 935 | 1585 | | | | | | 606 | 460 | | | | 614 |

标记示例：

通孔尺寸为600mm的A型油舱盖

油舱盖 A 600 CB/T282-94

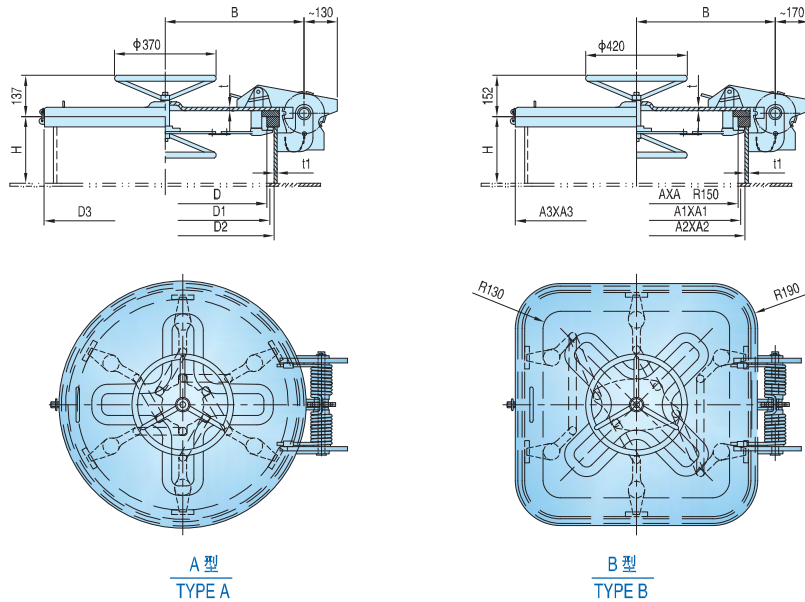


快速启闭水密舱口盖 QUICK OPEN&CLOSE WATERTIGHT HATCH COVER

CB/T 3842-2000

该舱口盖能承受水压0.2MPa

THIS KIND OF HATCH COVER COULD WITHSTAND THE PRESSURE OF 0.2MPa



A 型
TYPE A

B 型
TYPE B

| 类型 TYPE | 通孔尺寸 ACCESS WAY SIZE D | 甲板开孔 SIZE OF B.H OPENING D1 | 围板内径 INSIDE DIA. OF COAMING D2 | 盖板外径 OUT. DIA. OF COAMING D3 | 盖板厚度 THICK. OF COVER t1 | 围板 COAMING 厚度 THICK H | 中心距 CENTRAL DISTANCE B | 重量 WEIGHT KG | |
|------------|---------------------------------|--------------------------------------|---|---------------------------------------|----------------------------------|-----------------------------------|---------------------------------|--------------------|-----|
| A | 600 | 640 | 670 | 720 | 12 | 12 | 200 | 473 | 245 |
| | 650 | 690 | 720 | 770 | | | | 498 | 266 |
| | 700 | 740 | 770 | 820 | | | | 523 | 285 |
| | 750 | 790 | 820 | 870 | | | | 548 | 306 |
| | 800 | 840 | 870 | 920 | | | | 573 | 328 |

| 类型 TYPE | 通孔尺寸 ACCESS WAY SIZE AXA | 甲板开孔 SIZE OF B.H OPENING A1XA1 | 围板内径 INSIDE DIA. OF COAMING A2XA2 | 盖板外径 OUT. DIA. OF COAMING A3XA3 | 盖板厚度 THICK. OF COVER t1 | 围板 COAMING 厚度 THICK H | 中心距 CENTRAL DISTANCE B | 重量 WEIGHT KG | |
|------------|-----------------------------------|---|--|--|----------------------------------|-----------------------------------|---------------------------------|--------------------|-----|
| B | 600X600 | 640X640 | 670X670 | 720X720 | 12 | 12 | 200 | 510 | 310 |
| | 700X700 | 740X740 | 770X770 | 820X820 | | | | 560 | 340 |
| | 800X800 | 840X840 | 870X870 | 920X920 | | | | 610 | 380 |

注：围板高度H可根据需要确定，表中H为最小尺寸。

NOTE: COAMING HEIGHT COULD BE DECIDED BY CUSTOMER, THE VALUE IN THE TABLE IS MIN

标记示例：

通孔尺寸为φ600mm，围板高度为200mm的快速启闭水密舱口盖

快速启闭水密舱口盖 A600-200 CB/T 3824-2000

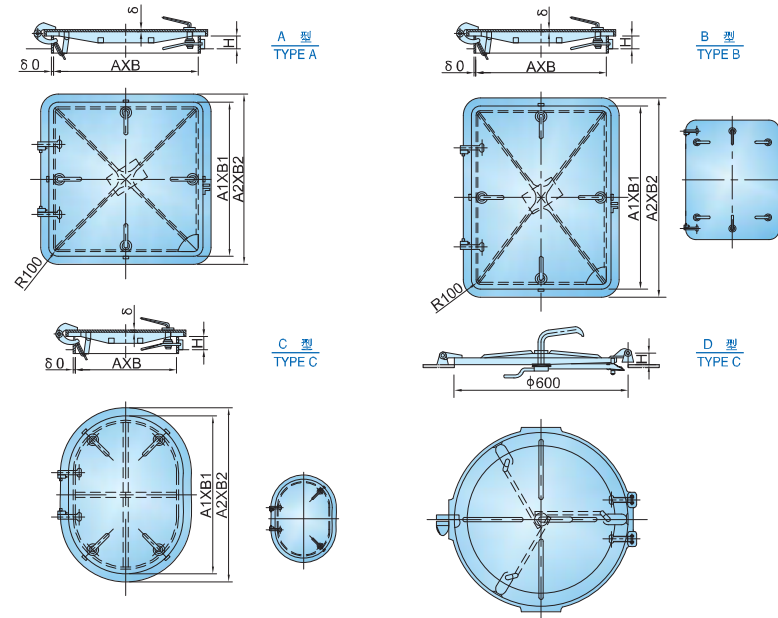


铝质水密舱口盖 ALUMINIUM WATERTIGHT HATCH COVER

CB732-68

适用于船舶露天部分甲板及贮藏舱口等处，具有重量轻、密性好、启闭灵活等特点。

USED FOR CARGO HOLD AND STORE ON EXPOSED DECK. IT HAS ADVANTAGES OF LIGHT WEIGHT, GOOD TIGHTNESS AND FLEXIBLE OPERATION.



A 型
TYPE A

B 型
TYPE B

C 型
TYPE C

D 型
TYPE D

| 类型 TYPE | 通孔尺寸 ACCESS WAY SIZE AXB | A1XB1 | A2XB2 | t | δ | H |
|------------|--------------------------------|---------|---------|---|-----|----|
| A | 500X500 | 532X532 | 588X588 | 3 | 4 | 50 |
| | 600X600 | 632X632 | 688X688 | | | |
| B | 450X600 | 482X632 | 538X688 | 3 | 4 | 50 |
| | 650X800 | 686X836 | 738X888 | | | |
| C | 350X500 | 382X532 | 438X588 | 3 | 4 | 50 |
| | 450X600 | 482X632 | 538X688 | | | |
| D | φ 600 | φ 636 | φ 640 | 3 | 2.5 | 27 |

标记示例：

通孔尺寸为φ600的D型铝质水密舱口盖

水密舱口盖 D φ 600CB 732-68



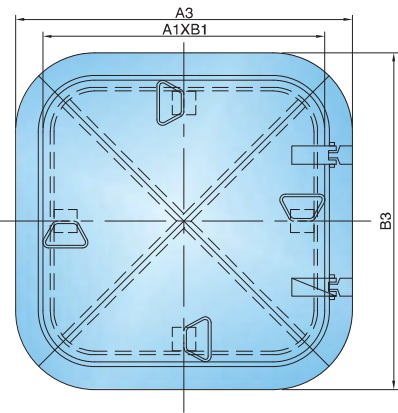
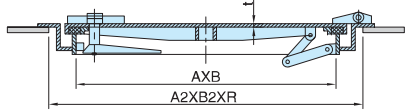
舰船装备 出类拔萃 海联产品 情联四海

铝质埋入式水密舱口盖 ALUMINIUM SUNK WATERTIGHT HATCH COVER

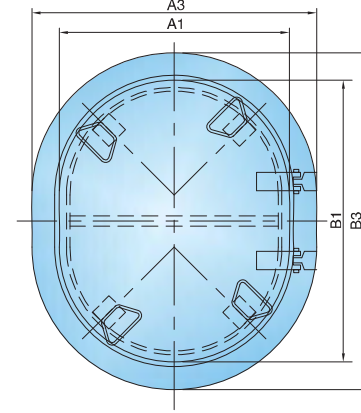
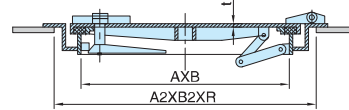
CB958-80

适用于舰船舱室内主要通道或需要保持与甲板平直的部位具有重量轻，密性好，启闭灵活等特点。
USED IN MAIN PASSAGE WAY OF SHIP CABIN OR DECK WHERE THE FLUSH IS NEEDED .ITS ADVANTAGE IS WEIGHT LIGHT, GOOD WATERTIGHTNESS AND FLEXIBLE-OPENING.

A型 方形埋入式水密舱口盖
TYPE A SQUARE SUNK WATERTIGHT HATCH COVER



B型 椭圆形埋入式水密舱口盖
TYPE B ELLIPTIC SUNK WATERTIGHT HATCH COVER



| 类型 TYPE | 通孔尺寸 ACCESS WAY SIZE AXB | 盖板尺寸 SIZE OF COVER A1XB1 | 甲板开口 SIZE OF B.H. OPENING A2XB2XR | 外形尺寸 SIZE OF OUTSIDE A3XB3 | t | 重量 WEIGHT KG |
|------------|--------------------------------|--------------------------------|---|----------------------------------|---|--------------------|
| A | 500X500 | 536X536 | 580X580X130 | 646X646 | 4 | 22.4 |
| | 600X600 | 636X636 | 680X680X140 | 746X746 | | 26.3 |
| B | 400X500 | 436X536 | 480X580 | 546X646 | | 17.02 |
| | 450X600 | 486X632 | 530X680 | 596X746 | | 21.06 |

标记示例:

通孔尺寸为 400X500mm B型铝质埋入式水密舱口盖

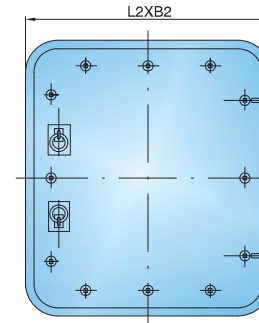
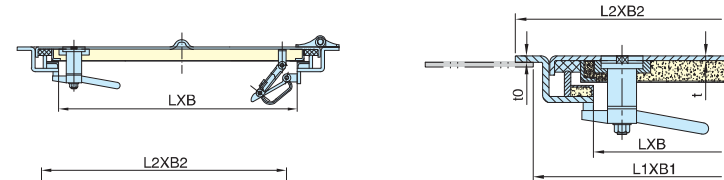
埋入式舱口盖 B400X500 CB958-80



舰船装备 出类拔萃 海联产品 情联四海

A15防火舱口盖 A15 FIREPROOF HATCH COVER

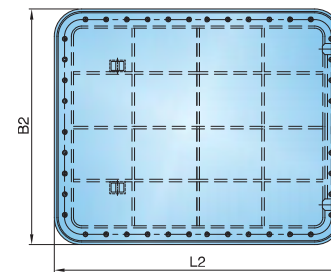
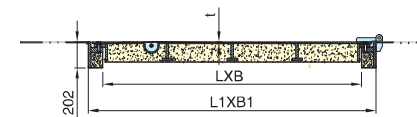
263WHL001F-00



| 通孔尺寸 ACCESS WAY SIZE LXB | 甲板开口 SIZE OF B.H. OPENING L1XB1XR | 外形尺寸 SIZE OF OUTLINE L2XB2 | 盖板厚 COVER PLATE t | 围板厚 COAMING THK to | 重量 WEIGHT KG |
|--------------------------------|---|----------------------------------|----------------------------|-----------------------------|--------------------|
| 600X600 | 790X790XR195 | 870X870 | 4 | 6 | 79 |
| 700X700 | 890X890XR195 | 970X970 | 6 | 6 | 98 |
| 600X800 | 790X990XR195 | 870X1070 | 6 | 8 | 110 |
| 800X1200 | 990X1390XR195 | 1070X1470 | 8 | 11 | 231 |
| 1000X1400 | 1190X1590XR195 | 1270X1670 | 8 | 11 | 295 |
| 1500X1750 | 1690X1940XR195 | 1770X2020 | 8 | 11 | 475 |

A-60级埋入式水密舱口盖 A-60 FIRE PROOF HATCH COVER (SUNK TYPE,WATERTIGHT)

263WHL701-00



| 通孔尺寸 ACCESS WAY SIZE LXB | 甲板开口 SIZE OF B.H. OPENING L1XB1XR | 外形尺寸 SIZE OF OUTLINE L2XB2 | 盖板厚 COVER PLATE t |
|--------------------------------|---|----------------------------------|--|
| 600X600 | 824X824XR212 | 820X820 | 根据舱口盖 的尺寸和水 压确定 DEPEND ON THE SIZE AND PRESSURE OF HATCH COVER |
| 700X700 | 924X924XR212 | 920X920 | |
| 600X800 | 824X1024XR212 | 820X1020 | |
| 800X1200 | 1024X1424XR212 | 1020X1420 | |
| 1000X1400 | 1224X1624XR212 | 1220X1620 | |
| 1500X1750 | 1724X1974XR212 | 1720X1970 | |
| 2500X2000 | 2724X2224XR212 | 2720X2220 | |